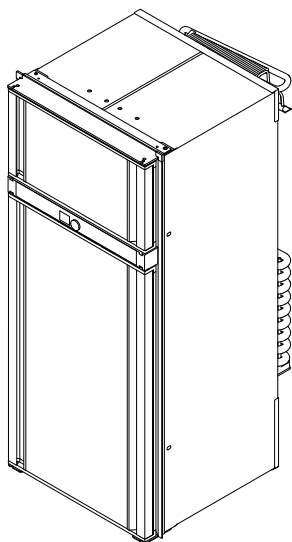


# ↗ DOMETIC REFRIGERATION 10-SERIES

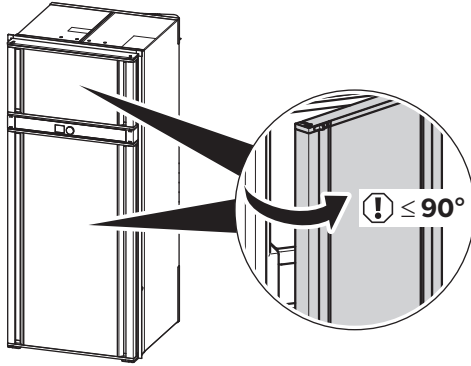


## RMD10

<b>EN</b>	<b>Absorber refrigerator</b> Installation Manual.....	12
<b>DE</b>	<b>Absorber-Kühlschrank</b> Montageanleitung.....	26
<b>FR</b>	<b>Réfrigérateur à absorption</b> Instructions de montage.....	41
<b>NL</b>	<b>Absorptiekoelkast</b> Montagehandleiding.....	57

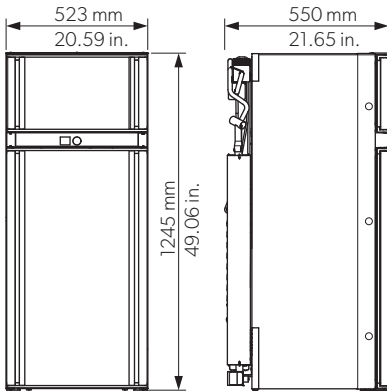
© 2021 Dometic Group. The visual appearance of the contents of this manual is protected by copyright and design law. The underlying technical design and the products contained herein may be protected by design, patent or be patent pending. The trademarks mentioned in this manual belong to Dometic Sweden AB. All rights are reserved.

**NOTICE**

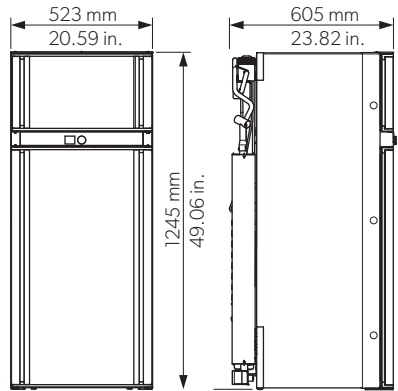


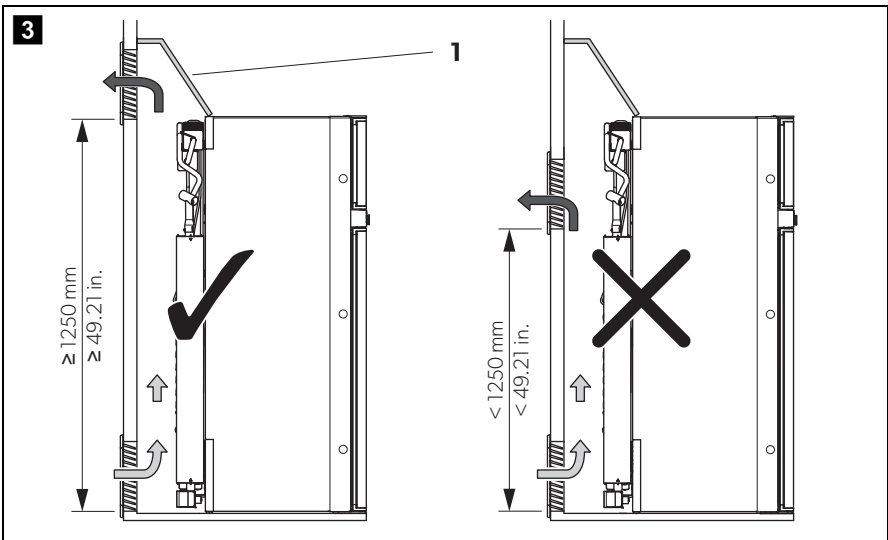
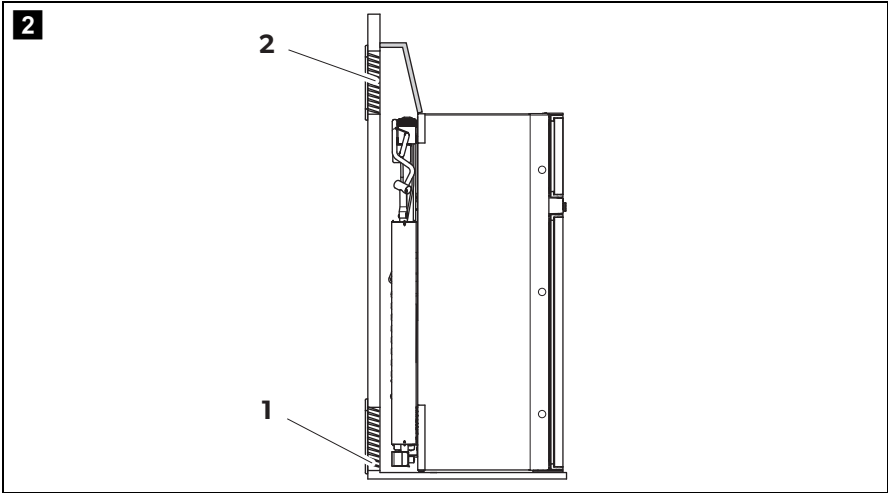
**1**

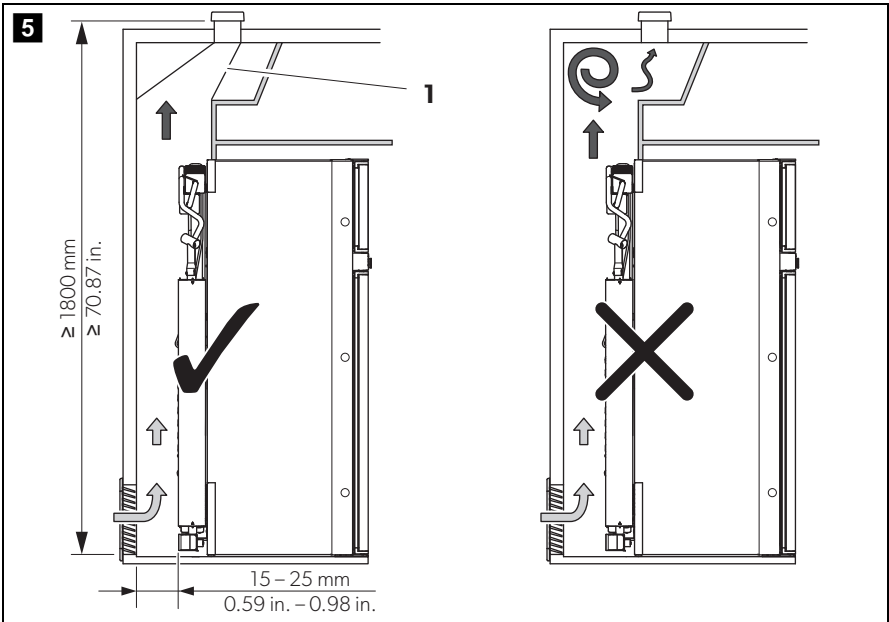
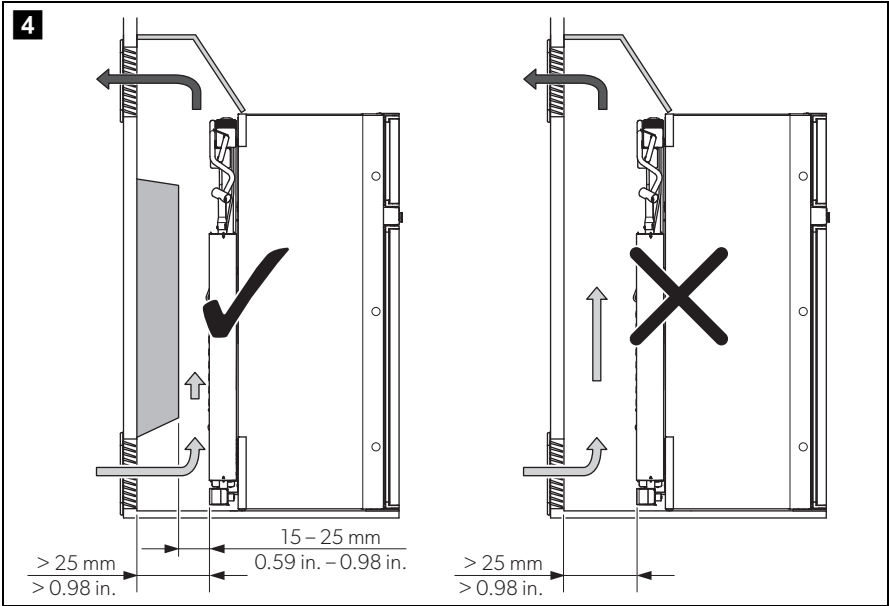
**RMD 10.5(S)(T)**

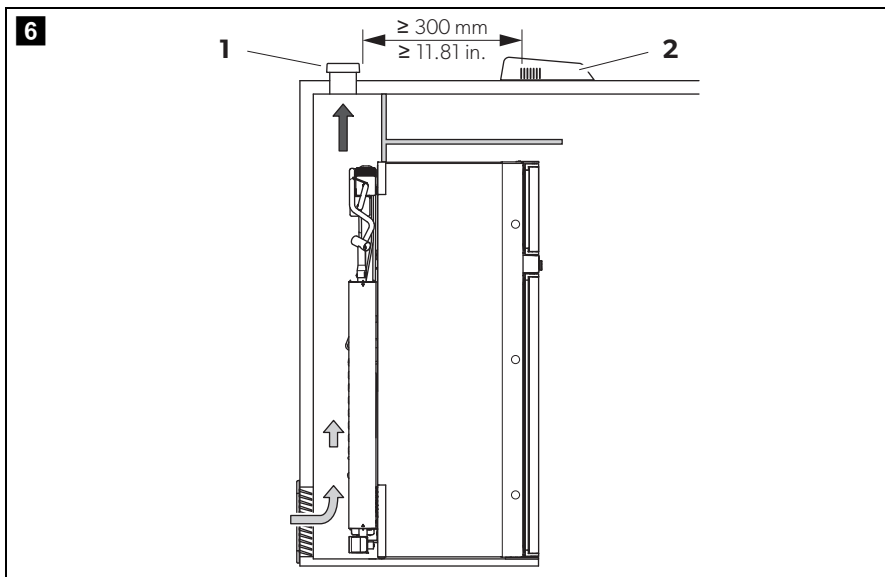


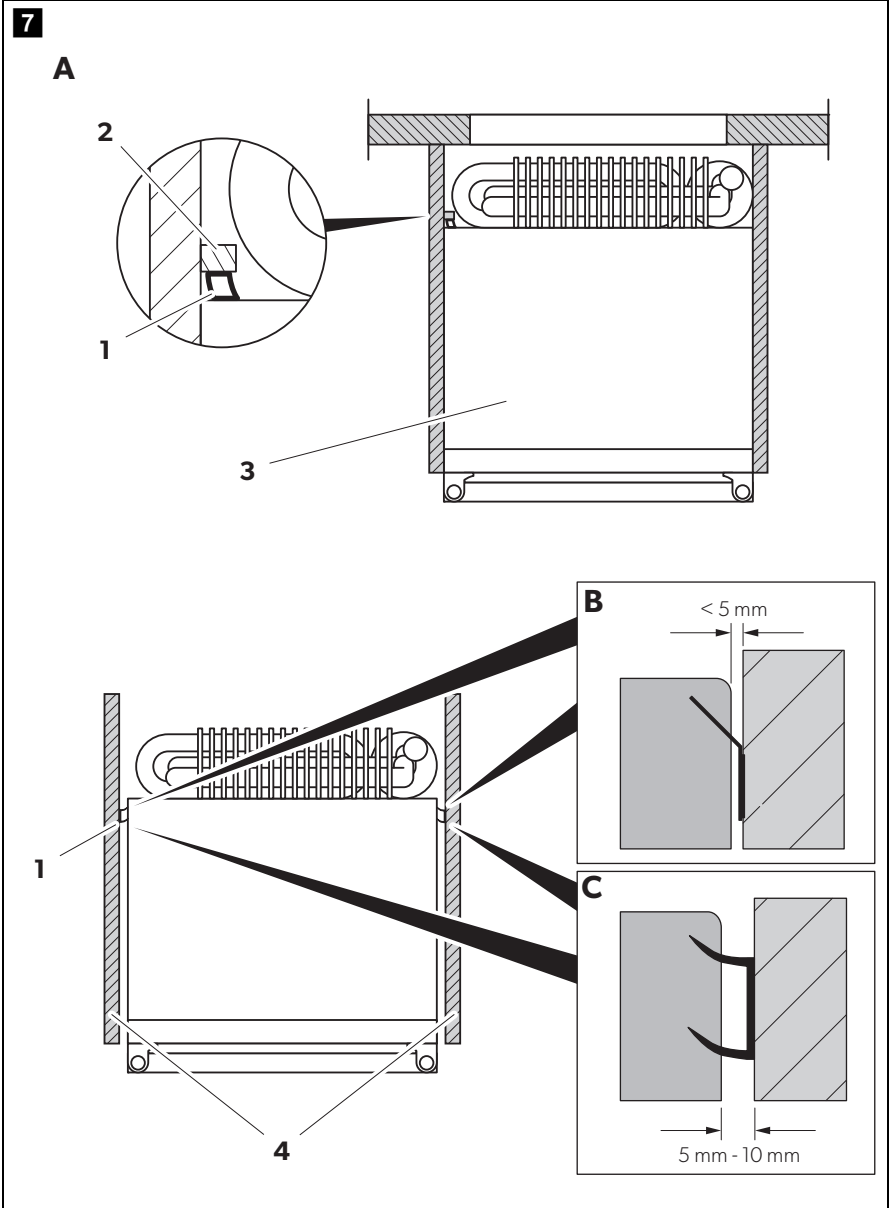
**RMD 10.5X(T)(S)**

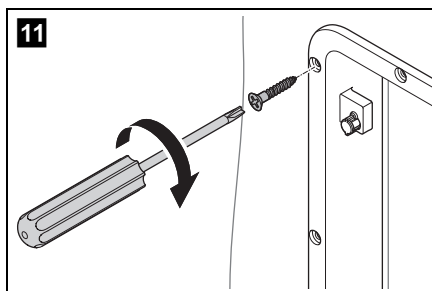
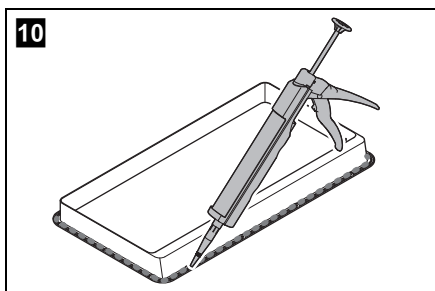
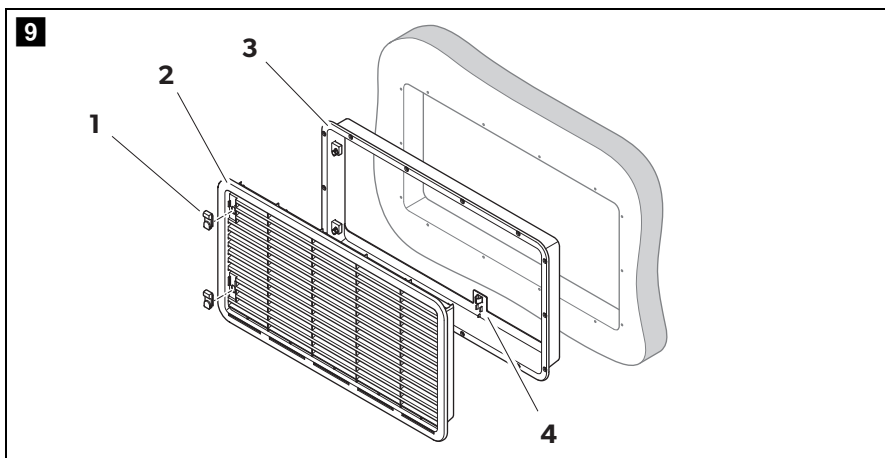
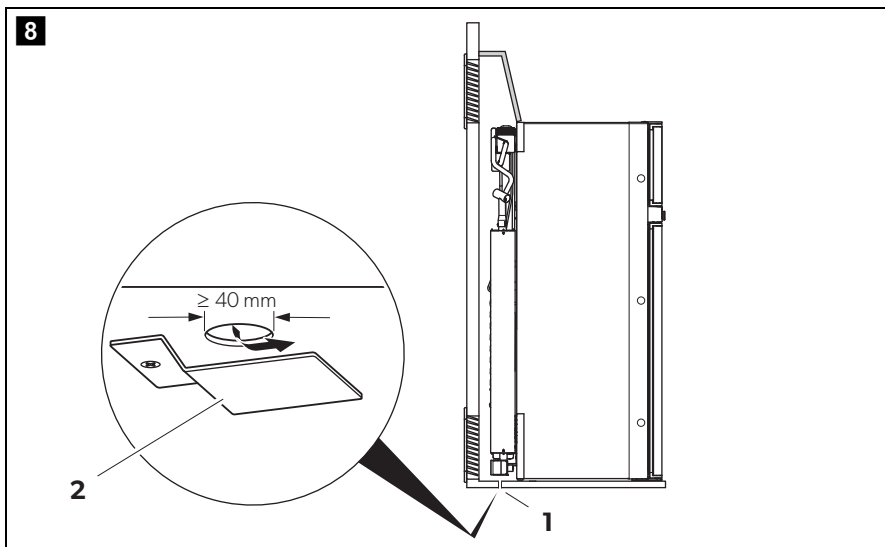




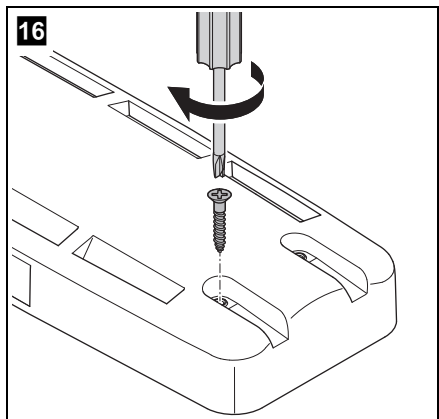
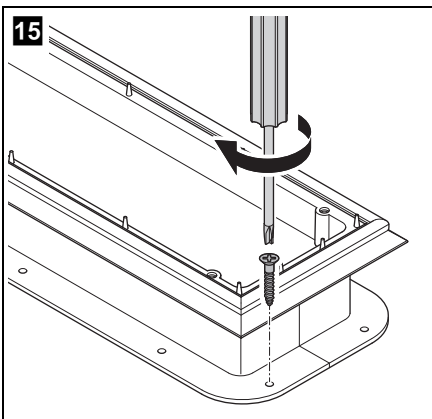
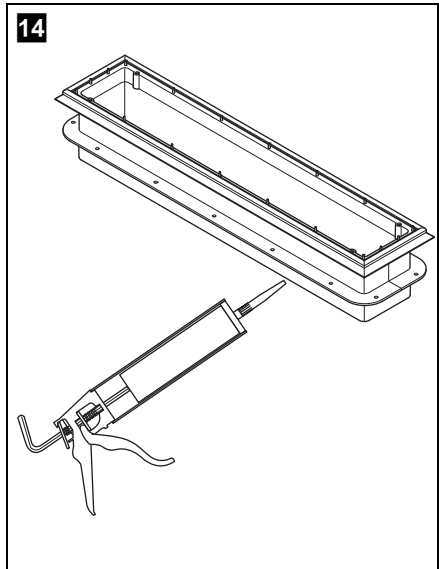
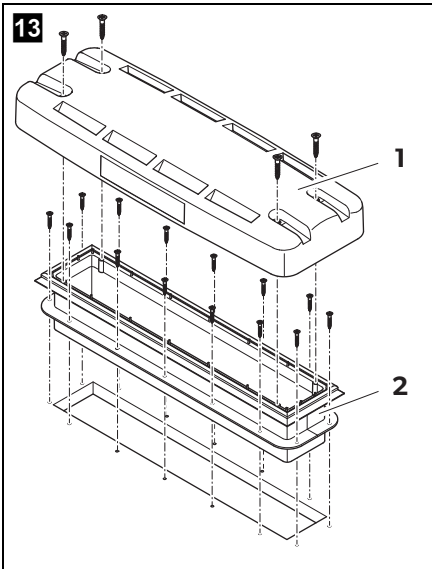
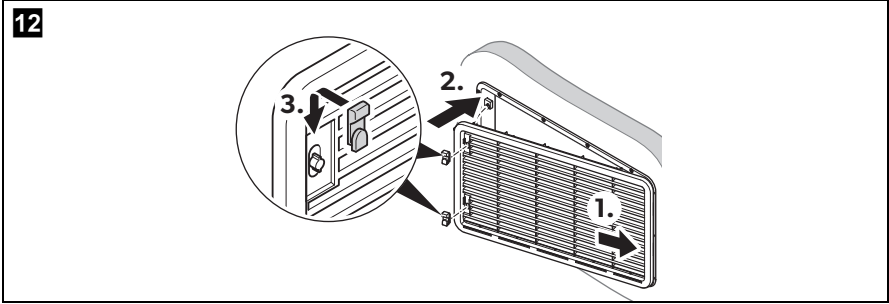


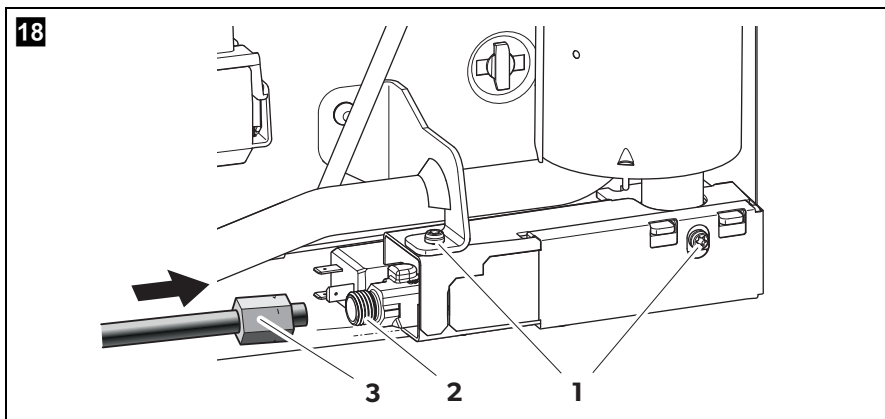
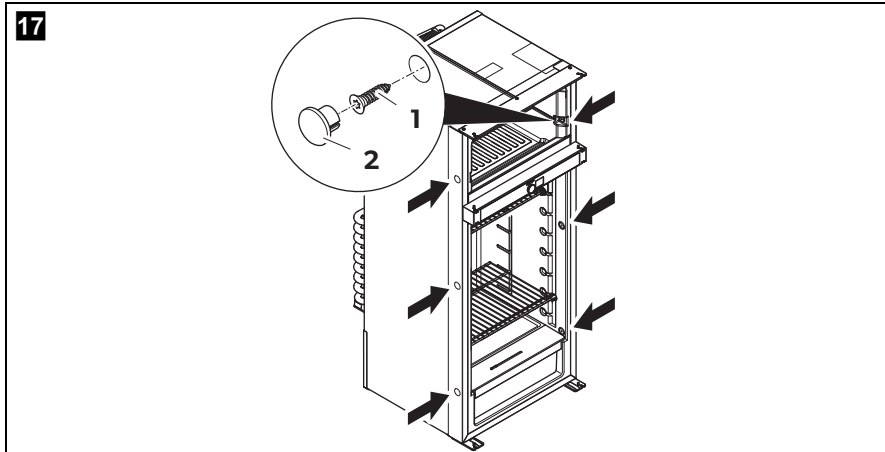




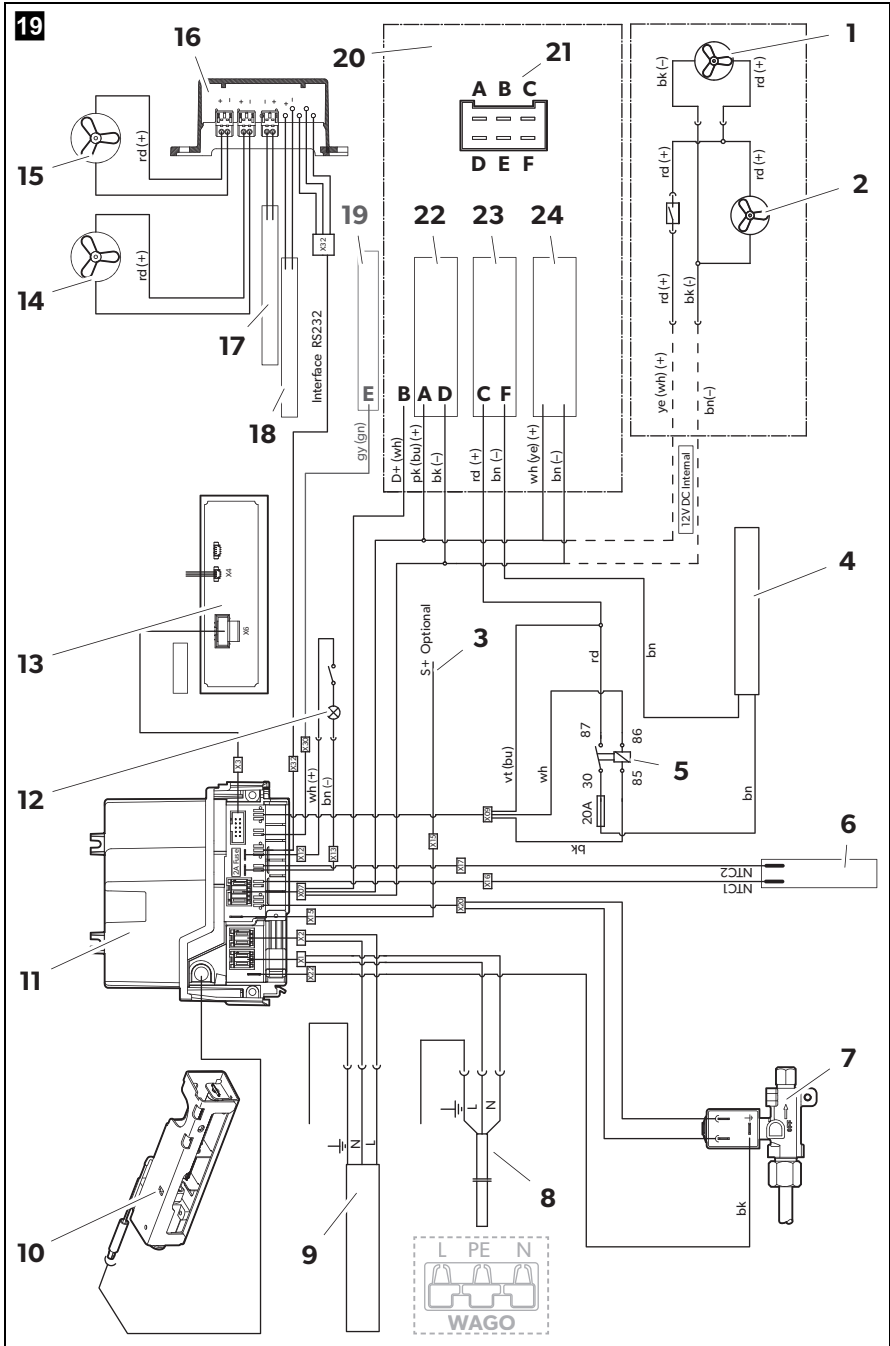








	<b>bk</b>	<b>bn</b>	<b>bu</b>	<b>rd</b>	<b>pk</b>	<b>vt</b>	<b>wh</b>
<b>EN</b>	Black	Brown	Blue	Red	Pink	Violet	White
<b>DE</b>	Schwarz	Braun	Blau	Rot	Pink	Violett	Weiß
<b>FR</b>	Noir	Marron	Bleu	Rouge	Rosa	Violeta	Blanc
<b>NL</b>	Zwart	Bruin	Blauw	Rood	Roze	Paars	Wit



Please read these instructions carefully and follow all instructions, guidelines, and warnings included in this product manual in order to ensure that you install, use, and maintain the product properly at all times. These instructions **MUST** stay with this product.

By using the product, you hereby confirm that you have read all instructions, guidelines, and warnings carefully and that you understand and agree to abide by the terms and conditions as set forth herein. You agree to use this product only for the intended purpose and application and in accordance with the instructions, guidelines, and warnings as set forth in this product manual as well as in accordance with all applicable laws and regulations. A failure to read and follow the instructions and warnings set forth herein may result in an injury to yourself and others, damage to your product or damage to other property in the vicinity. This product manual, including the instructions, guidelines, and warnings, and related documentation, may be subject to changes and updates. For up-to-date product information, please visit [dometic.com](http://dometic.com).

## Table of contents

- 1 Explanation of symbols . . . . . 12
- 2 Safety instructions . . . . . 13
- 3 Accessories . . . . . 15
- 4 Installing the refrigerator . . . . . 15
- 5 Connecting the refrigerator . . . . . 21
- 6 Technical data . . . . . 25

# 1 Explanation of symbols



**WARNING!**  
**Safety instruction:** Indicates a hazardous situation that, if not avoided, could result in death or serious injury.



**CAUTION!**  
**Safety instruction:** Indicates a hazardous situation that, if not avoided, could result in minor or moderate injury.



**NOTICE!**  
 Indicates a situation that, if not avoided, can result in property damage.



**NOTE**  
 Supplementary information for operating the product.

## 2 Safety instructions

The manufacturer accepts no liability for damage in the following cases:

- Faulty assembly or connection
- Damage to the product resulting from mechanical influences and incorrect connection voltage
- Alterations to the product without express permission from the manufacturer
- Use for purposes other than those described in the operating manual



**WARNING! Failure to obey these warnings could result in death or serious injury.**

### **Explosion hazard**

- Never open the absorber unit. It is under high pressure and can cause injury if it is opened.
- **Only** operate the device at the pressure shown on the type plate. Only use pressure controllers with a fixed setting which comply with the national regulations (in Europe EN 12864).

### **Fire hazard**

- Ensure clean and residue-free handling if silicon sealant or similar is used. There is a risk of fire if silicone filaments come into contact with hot parts or naked flames.
- Never use a naked flame to check the device for leaks.
- Only use propane or butane gas (**not** natural gas).

### **Health hazard**

- Do not operate the device if it is visibly damaged.
- If the AC power cable for this device is damaged, it must be replaced by the manufacturer, a service agent or a similarly qualified person in order to prevent safety hazards.
- This device may only be repaired by qualified personnel. Inadequate repairs may cause serious hazards.

### **Risk of asphyxiation**

- Dismantle all device doors for the disposal of the old device and leave the shelves in the device to prevent accidental enclosure and suffocation.



**CAUTION! Failure to obey these cautions could result in minor or moderate injury.**

**Electrical shock**

- Before starting the device, ensure that the power supply line and the plug are dry.

**Risk of crushing**

- Do not put your fingers into the hinge.



**NOTICE! Damage hazard**

- Only hold the device at the body of the device during transport. Never hold the device at the absorber unit, the cooling fins, the gas pipes, the door or the control panel.

- Make sure that the device circuit is not damaged during transportation. The refrigerant in the device circuit is highly flammable.

In the event of any damage to the device circuit (smell of ammonia):

- Switch off the device if applicable.
  - Avoid naked flames and sparks.
  - Air the room well.
- Do not install the device near naked flames or other heat sources (heaters, direct sunlight, gas ovens etc.).
  - **Danger of overheating!**  
Always ensure sufficient ventilation so that the heat generated during operation can dissipate. Make sure that the device is sufficiently far away from walls and other objects so that the air can circulate.
  - Check that the voltage specification on the type plate is the same as that of the power supply.
  - Do not open the refrigerant circuit under any circumstances.
  - Only use the AC connection cable supplied to connect the device to the AC mains.
  - Only use cables with a suitable size.
  - Never pull the plug out of the socket by the connection cable.
  - The device may not be exposed to rain.

## 3 Accessories

### Description

Flexible gas piping

Seal for draft-proof installation for gaps of 1 – 5 mm (fig. **7 B**, page 7)

Seal for draft-proof installation for gaps of 5 – 10 mm (fig. **7 C**, page 7)

Winter cover LS 300 for the ventilation grill

Adapter cable

- WAGO to CEE
- WAGO to UK
- WAGO to JST
- WAGO to MATE-N-LOK

Optional Fan Kit REF-FANKIT

Optional Battery Pack R10-BP for stand-alone gas operation

Optional Ø2,5/5,5 mm connector for stand-alone gas operation with a 9 V<sup>===</sup> powerbank

## 4 Installing the refrigerator



You find the instructions for changing the door stop and the decorative plate online at:

[documents.dometic.com/?object\\_id=63258](https://documents.dometic.com/?object_id=63258)

The device is suitable for installation in:

- caravans
- motor homes

### 4.1 Preparing the installation



#### NOTICE!

- The refrigerator may not be installed in the rear of mobile homes with the door pointing in the direction of travel.
- Use exclusively original Dometic ventilation grills to ensure safe operation.

When installing the refrigerator, note the following:

- To enable the refrigerant to circulate properly, the refrigerator may not exceed an angle of 3 °.  
Park the vehicle horizontally for this purpose.
- The refrigerator must be installed so that
  - it is easily accessible for service work
  - easy to de-install and install
  - can be easily removed from the vehicle
- The refrigerator must be installed in a recess so that it stands firm when the vehicle is in motion. Note the dimensions in fig. **1**, page 3 for this purpose.
- The outer wall must be fitted with an air inlet vent (fig. **2** 1, page 4) and an outlet vent (fig. **2** 2, page 4) with ventilation grills so that the heat generated can be easily released to the outside:
  - Air inlet vent: Fit ventilation grill as flush as possible with the base of the installation niche.
  - Outlet vent: fit as far above the refrigerator as possible.
  - The distance between the air inlet and outlet vents must be at least 1250 mm (fig. **3**, page 4).
- Fit a heat conduction plate (fig. **3** 1, page 4) above the refrigerator so that the heat does not accumulate in the vehicle.
- The distance between the refrigerator and the rear wall must be at least 15 mm but no more than 25 mm.
- A distance of more than 25 mm between the refrigerator and rear wall leads to poor performance and increases the power consumption of the refrigerator. Reduce the space behind the refrigerator to create adequate air inlet and outlet ventilation (fig. **4**, page 5). Use a ventilation plate, for example, to do this.
- If the minimum distance between the air inlet and outlet vents cannot be met, a roof vent must be installed instead of the air outlet vent.
  - The roof vent should be installed directly above the back of the refrigerator as far as this is possible. Use an air duct (fig. **5** 1, page 5) if you need to install the roof vent offset; otherwise, heat will accumulate there.
  - The distance between the air inlet vent and the roof vent must be at least 1800 mm (fig. **5**, page 5).
  - If a roof air conditioner is provided, the distance between the roof vent (fig. **6** 1, page 6) and the air outlet of the roof air conditioner (fig. **6** 2, page 6) must be at least 300 mm.
- The refrigerator must not be installed at the side of the air inlet and outlet vents as this leads to poor performance and increases the power consumption of the refrigerator.



- The air inlet and outlet vents must not be covered by vehicle parts (such as an open door or by installing accessories such as bicycle racks) while operating.
- Install the refrigerator so that it is protected from excessive heat, as this leads to poor performance and increases the power consumption of the refrigerator.
- The refrigerator must be installed in a draft-proof location.

## 4.2 Installing the refrigerator in a draft-proof location



### **WARNING! Fire hazard!**

- Do not use flammable materials such as silicone sealants, foam or similar for the draft-proof installation.
- Position the device so that no connection cable is damaged or pinched.
- Do not use multiple sockets or portable power adapters behind the device.

Gas-powered refrigerators in camper vans or mobile homes must be installed in a draft-free location. This means that the combustion air is not extracted from the interior and the exhaust fumes are prevented from directly entering the living space.

A suitable seal must be fitted between the rear panel of the refrigerator and the interior of the vehicle.

The manufacturer recommends using a flexible seal to ease removal and installation for maintenance purposes.

Select one of the three versions for draft-proof installation (fig. **7**, page 7):

### **Stop bar behind the fridge (A)**

- Glue a flexible sealing lip **(1)** to a stop bar **(2)** behind the refrigerator **(3)**.
- Push the refrigerator-oven combination against the stop bar with the flexible sealing lips.
- ✓ The space behind the refrigerator is sealed to the interior of the vehicle.

### **Side gap distance of up to 5 mm between refrigerator and furniture (B)**

- Glue the sealing lips (see chapter "Accessories" on page 15) on the side of the furniture **(4)**.
- Push the refrigerator-oven combination against the flexible sealing lips on furniture.
- ✓ The space behind the refrigerator is sealed to the interior of the vehicle.

### Side gap distance of 5 mm to 10 mm between refrigerator and furniture (C)

- ▶ Glue the double lipped sealing (see chapter “Accessories” on page 15) on the side of the furniture (4).
- ▶ Push the refrigerator-oven combination against the double lipped sealing on furniture.
- ✓ The space behind the refrigerator is sealed to the interior of the vehicle.

## 4.3 Making air inlet and outlet vents



### NOTE

- Deviations from the inlet and outlet variations shown here must be approved by the manufacturer.
- At high ambient temperatures, the refrigerator can only provide its maximum cooling capacity if the optimum ventilation has been provided.

- ▶ Make an air inlet vent and an air outlet vent in the outer wall with the size of 249 mm x 490 mm.

When doing so, observe the information in chapter “Preparing the installation” on page 15.

If the ventilation grill of the air inlet vent cannot be installed flush with the floor of the niche, install an inlet vent in the floor. Any leaking gas can thus flow downwards.

- ▶ Make an air inlet vent of at least Ø 40 mm in the floor (fig. **8** 1, page 8) behind the refrigerator near the gas burner.
- ▶ Shield the end of the opening with a deflector to prevent sludge or dirt from getting inside while driving (fig. **8** 2, page 8).

If you have to use a roof vent instead of the air outlet vent:

- ▶ Cut out a section in the roof. Refer to the roof vent instruction manual for the required dimensions.

When doing so, observe the information in chapter “Preparing the installation” on page 15.

## 4.4 Installing the ventilation grill



### NOTE

Use exclusively original Dometic ventilation grills to ensure safe operation.

No. in fig. <b>9</b> , page 8	Description
1	Slider
2	Ventilation grill
3	Installation frame
4	Fastening for condensation drain

- ▶ Seal the installation frame to make the connection waterproof (fig. **10**, page 8).
- ▶ Insert the installation frame and screw it down tightly (fig. **11**, page 8). Use all the fixing holes for this.
- ▶ Insert the ventilation grill as shown (fig. **12**, page 9).

## 4.5 Installing condensation drain



### NOTE

- Condensation can form inside the refrigerator due to frequent door opening, incorrectly stored food or food that is stored when it is too warm.
- Condensation must be drained with a constant slope.

Install the condensation drain as follows:

### Variant 1

- ▶ Run the condensation hose from the refrigerator through an opening in the floor which goes outside under the vehicle.

### Variant 2

- ▶ Attach the condensation hose directly to the fitting intended for it on the ventilation grill (fig. **9** 4, page 8).

## 4.6 Install the roof vent

No. in fig. <b>13</b> , page 9	Description
1	Hood
2	Installation frame

- ▶ Seal the installation frame to make the connection waterproof (fig. **14**, page 9).
- ▶ Insert the installation frame and screw it down tightly (fig. **15**, page 9). Use all the fixing holes for this.
- ▶ Insert the hood and screw it down tightly (fig. **16**, page 9).

## 4.7 Securing the refrigerator



### CAUTION!

Only screw through the receptacles provided, otherwise foamed components, such as cables, can be damaged.



### NOTE

Attach the side walls or the attached strips so that the screws are tight, even when under increased loads (while driving).

- ▶ Move the refrigerator into its final location.
- ▶ Fasten the six screws (fig. **17** 1, page 10) through the six plastic washers in the sides of the refrigerator, and further into the wall.
- ▶ Put the caps (fig. **17** 2, page 10) onto the screw heads.

## 5 Connecting the refrigerator

### 5.1 Connecting to the gas supply



#### NOTICE!

- This refrigerator may only be connected to the gas supply by a specialist in accordance with the applicable guidelines and standards.
- A hose connection is **not** permitted.
- Use a metal-sealed screw connection.
- The gas filter (white) in the refrigerator gas connection must not be removed.
- Only use cylinders of propane or butane gas (not natural gas or city gas) with an approved pressure reduction valve and suitable head. Compare the pressure information on the type plate with the pressure information on the pressure regulator on the propane or butane gas cylinder.
- **Only** operate the refrigerator at the pressure shown on the type plate.
- **Only** operate the refrigerator with the type of gas shown on the type plate.
- Please note the pressures which are permitted in your country. Only use pressure controllers with a fixed setting which comply with the national regulations.



#### NOTE

Optionally, you can use the Dometic flexible gas connection pipe to keep the installation tensionless.

It must be possible to shut off the refrigerator from the gas line separately by means of a shut-off device. The shut-off device must be easily accessible.

- Connect the refrigerator securely by hand to the gas supply (fig. **18**, page 10):  
Please note the following information:

No. in fig. <b>18</b> , page 10	Description
1	Screw M4 (Torx TX20), Tightening torque: 2 Nm
2	Refrigerator gas connection: M14 x 1.5 (d = 8 mm/ISO8434 (DIN2353))
3	Gas pipe with ring coupling (size 17), Tightening torque: 25 Nm

- Have a leak test and a flame test performed by an authorized specialist after professional installation.  
Ensure you are issued with a certificate of inspection and hand this certificate to the end user for safekeeping.

## 5.2 Connecting to DC and AC



### NOTICE!

The electrical installation and repairs may only be performed by a specialist in accordance with the applicable regulations and standards.



### NOTE

- The device plug must not be placed directly behind the ventilation grill in order to prevent the air circulation from being impaired and to protect the device plug from splashes of water.
- The device plug of the AC connection cable must not be cut off.
- The connection cables must be laid so that they do not come in contact with hot parts of the unit/burner or with sharp edges.
- Changes to the internal electrical installation or the connection of other electrical components (e.g. extra third party fans) to the internal wiring of the refrigerator will void any claims from the guarantee and product liability.
- The refrigerator has a CI bus interface and can be controlled through a compatible central vehicle display.

**Circuit diagram of the refrigerator (fig. 19, page 11)**

<b>No. in fig. 19, page 11</b>	<b>Description</b>
1	Fan 2 (if options module is not available)
2	Fan 1 (if options module is not available)
3	S+ (optional)
4	Heating element DC
5	DC relay with 20 A fuse for heating cartridge
6	NTC 1: Refrigeration room NTC 2: Outside temperature (optional)
7	Gas valve
8	AC power supply
9	Heating element AC
10	Gas burner
11	Connection block
12	Lightning
13	Display
14	Heating frame
15	Fan 2 (if options module is available)
16	Fan 1 (if options module is available)
17	Options module
18	DC supply oven (if options module is available)
19	DC supply options module
20	CI-Bus connection
21	DC power supply
22	12 V terminal housing (front view) <ul style="list-style-type: none"> <li data-bbox="389 1278 647 1302">• AMP/TE Tyco: 180906</li> <li data-bbox="389 1305 647 1329">• CS Colombo: 63N025</li> </ul>
23	DC supply cable electronics
24	DC supply cable heating element
25	Internal DC supply, max. 1 A (options module, oven, fan)

## DC power



### WARNING! Fire hazard!

- The supply line to the heating element must be protected with a 20 A fuse.
- The supply line to the electronics must be protected with a 2 A fuse.



### NOTICE!

The respective positive and negative supply lines of the DC connections for electronics (fig. **19** 23, page 11) and heating element (fig. **19** 24, page 11) may **not** be joined with one another and carried on a single wire. This can cause electrical interference or damage to electrical components.

Please note the following cable sizes:


- < 6 m (in the interior): at least 6 mm<sup>2</sup>
  - > 6 m (in the interior): at least 10 mm<sup>2</sup>
  - Connections electronics and heating element: 0.75 mm<sup>2</sup>
  - Connections D+ and S+: 0.75 mm<sup>2</sup>
  - Cable fed via drawbar (caravans only): 2.5 mm<sup>2</sup>
- Assemble your DC socket as follows (fig. **19** 21, page 11):
- Connect **A** and **C** to the positive pole of the battery.
  - Connect **D** and **F** to Connect D and F to ground.
  - Connect **B** to the D + signal.  
The electronics of the refrigerator uses the signal D+ from the light system to detect the running engine. In automatic mode, the refrigerator selects the most favorable mode available. The refrigerator is only operated with direct current when the vehicle engine is running.
  - Connect **E** to the CI-BUS.
- Connect **3** with the S+ signal (optional).
- Protect the supply line **A** with a 2 A fuse in the power distribution box of the vehicle.
- Protect the supply line **C** with a 20 A fuse in the power distribution box of the vehicle.
- Run the supply line **C** via an ignition-controlled relay.  
This prevents the battery from completely discharging if the engine is switched off accidentally.



**AC power**

- Connect the refrigerator to an AC socket using the device plug.

**6 Technical data**

	<b>RMD10.5(T)</b>	<b>RMD10.5X(T)</b>	<b>RMD10.5XS</b>	<b>RMD10.5S</b>
Connection voltage:	230 V~ /50 Hz 12 V==			
Capacity				
Gross capacity:	153 l	177 l	177 l	153 l
Refrigerator compartment:	124 l	142 l	142 l	124 l
Ice compartment:	29 l	35 l	35 l	29 l
Total net capacity:	147 l	171 l	171 l	147 l
Power consumption:	250 W (230 V~) 170 W (12 V==)			
Energy consumption:	4,4 kWh/24 h (230 V~)			
Gas consumption:	580 g/24 h			
Climate class:	SN			
Dimensions H x W x D:	1245 x 523 x 550 mm	1245 x 523 x 605 mm	1245 x 523 x 605 mm	1245 x 523 x 550 mm
Weight:	40 kg	41,5 kg	40,5 kg	39 kg
Inspection/certification:				

For the current EU Declaration of Conformity for your device, please refer to the respective product page on [dometic.com](http://dometic.com) or contact the manufacturer directly (see back page).

Lesen und befolgen Sie bitte alle Anweisungen, Richtlinien und Warnhinweise in diesem Produkthandbuch sorgfältig, um sicherzustellen, dass Sie das Produkt ordnungsgemäß installieren und stets ordnungsgemäß betreiben und warten. Diese Anleitung MUSS bei dem Produkt verbleiben.

Durch die Verwendung des Produktes bestätigen Sie hiermit, dass Sie alle Anweisungen, Richtlinien und Warnhinweise sorgfältig gelesen haben und dass Sie die hierin dargelegten Bestimmungen verstanden haben und ihnen zustimmen. Sie erklären sich damit einverstanden, dieses Produkt nur für den angegebenen Verwendungszweck und gemäß den Anweisungen, Richtlinien und Warnhinweisen dieses Produkthandbuchs sowie gemäß allen geltenden Gesetzen und Vorschriften zu verwenden. Eine Nichtbeachtung der hierin enthaltenen Anweisungen und Warnhinweise kann zu einer Verletzung Ihrer selbst und anderer Personen, zu Schäden an Ihrem Produkt oder zu Schäden an anderem Eigentum in der Umgebung führen. Dieses Produkthandbuch, einschließlich der Anweisungen, Richtlinien und Warnhinweise, sowie die zugehörige Dokumentation können Änderungen und Aktualisierungen unterliegen. Aktuelle Produktinformationen finden Sie unter [dometic.com](http://dometic.com).

## Inhaltsverzeichnis

1	Erklärung der Symbole . . . . .	26
2	Sicherheitshinweise . . . . .	27
3	Zubehör . . . . .	29
4	Kühlschrank einbauen. . . . .	29
5	Kühlschrank anschließen . . . . .	35
6	Technische Daten . . . . .	40

## 1 Erklärung der Symbole



### WARNUNG!

**Sicherheitshinweis** auf eine Gefahrensituation, die zum Tod oder zu schwerer Verletzung führen kann, wenn sie nicht vermieden wird.



### VORSICHT!

**Sicherheitshinweis** auf eine Gefahrensituation, die zu einer leichten oder mittelschweren Verletzung führen kann, wenn sie nicht vermieden wird.



### ACHTUNG!

Hinweis auf eine Situation, die zu Sachschäden führen kann, wenn sie nicht vermieden wird.



### HINWEIS

Ergänzende Informationen zur Bedienung des Produktes.

## 2 Sicherheitshinweise

Der Hersteller übernimmt in folgenden Fällen keine Haftung für Schäden:

- Montage- oder Anschlussfehler
- Beschädigungen am Produkt durch mechanische Einflüsse und falsche Anschlussspannung
- Veränderungen am Produkt ohne ausdrückliche Genehmigung vom Hersteller
- Verwendung für andere als die in der Anleitung beschriebenen Zwecke



**WARNUNG! Nichtbeachtung dieser Sicherheitshinweise kann zum Tod oder zu schweren Verletzungen führen.**

### **Explosionsgefahr**

- Öffnen Sie niemals das Absorberaggregat. Es steht unter hohem Druck und kann Verletzungen verursachen, wenn es geöffnet wird.
- Das Gerät darf **ausschließlich** mit dem auf dem Typenschild angegebenen Druck betrieben werden. Verwenden Sie nur fest-eingestellte Druckregler, die den nationalen Vorschriften entsprechen (in Europa EN 12864).

### **Brandgefahr**

- Achten Sie auf eine saubere und rückstandsfreie Verarbeitung, wenn Silikon-Dichtungsmasse o. Ä. verwendet wird. Kommen Silikonfäden mit heißen Teilen oder offenen Flammen in Berührung, besteht Brandgefahr.
- Prüfen Sie das Gerät niemals mit einer offenen Flamme auf Undichtigkeit.
- Verwenden Sie nur Propan- oder Butangas (**kein** Erdgas).

### **Gesundheitsgefahr**

- Wenn das Gerät sichtbare Beschädigungen aufweist, dürfen Sie ihn nicht in Betrieb nehmen.
- Wenn das Wechselstrom-Anschlusskabel dieses Geräts beschädigt wird, muss es durch den Hersteller, seinen Kundendienst oder eine ähnlich qualifizierte Person ersetzt werden, um Gefährdungen zu vermeiden.
- Reparaturen an diesem Gerät dürfen nur von Fachkräften durchgeführt werden. Durch unsachgemäße Reparaturen können erhebliche Gefahren entstehen.

**Erstickungsgefahr**

- Demontieren Sie alle Gerätetüren bei Entsorgung des Altgerätes und belassen Sie die Ablagen im Gerät, um ein versehentliches Einschließen und Erstickten zu verhindern.

**VORSICHT! Nichtbeachtung dieser Sicherheitshinweise kann zu leichten oder mittelschweren Verletzungen führen.****Stromschlag**

- Achten Sie vor der Inbetriebnahme darauf, dass Zuleitung und Stecker trocken sind.

**Quetschgefahr**

- Fassen Sie nicht in das Scharnier.

**ACHTUNG! Beschädigungsgefahr**

- Halten Sie das Gerät beim Transport nur am Gerätekorpus fest. Halten Sie das Gerät niemals am Absorberaggregat, den Kühlrippen, den Gasleitungen, der Tür oder der Bedienblende fest.
- Achten Sie beim Transport darauf, den Kühlkreislauf nicht zu beschädigen. Das Kältemittel im Kühlkreislauf ist leicht entflammbar. Bei einer Beschädigung des Kühlkreislaufs (Ammoniakgeruch):
  - Schalten Sie gegebenenfalls das Gerät aus.
  - Vermeiden Sie offenes Feuer und Zündfunken.
  - Lüften Sie den Raum gut.
- Bauen Sie das Gerät nicht in der Nähe von offenen Flammen oder anderen Wärmequellen (Heizung, Gasöfen usw.) ein.
- **Überhitzungsgefahr!**

Achten Sie stets darauf, dass beim Betrieb entstehende Wärme ausreichend abgeführt werden kann. Sorgen Sie dafür, dass das Gerät in ausreichendem Abstand zu Wänden oder Gegenständen steht, sodass die Luft zirkulieren kann.
- Vergleichen Sie die Spannungsangabe auf dem Typenschild mit der vorhandenen Energieversorgung.
- Öffnen Sie auf keinen Fall den Kühlkreislauf.
- Schließen Sie das Gerät nur mit dem zugehörigen Wechselstrom-Anschlusskabel an die Wechselstromsteckdose an.
- Verwenden Sie nur Kabel mit passendem Leitungsquerschnitt.
- Ziehen Sie den Stecker nie am Anschlusskabel aus der Steckdose.
- Das Gerät darf keinem Regen ausgesetzt werden.

## 3 Zubehör

### Bezeichnung

Flexibles Gasanschlussrohr

Dichtung für zugdichten Einbau für Spalten von 1 – 5 mm (Abb. **7 B**, Seite 7)

Doppellippendichtung für zugdichten Einbau für Spalten von 5 – 10 mm (Abb. **7 C**, Seite 7)

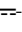
Winterabdeckung LS300 für das Lüftungsgitter

Adapterkabel

- WAGO auf CEE
- WAGO auf UK
- WAGO auf JST
- WAGO auf MATE-N-LOK

Optionales Fan Kit REF-FANKIT

Optionales Battery Pack R10-BP für den Autarkbetrieb

Optionaler Anschlussstecker mit Ø2,5/5,5 mm für autarken Gasbetrieb mit einer 9-V- Powerbank

## 4 Kühlschranks einbauen



Sie finden die Anleitung zum Wechsel des Türanschlags und der Dekorplatte online auf:

[documents.dometic.com/?object\\_id=63258](https://documents.dometic.com/?object_id=63258)

Das Gerät eignet sich für den Einbau in:

- Wohnwagen
- Wohnmobile

### 4.1 Einbau vorbereiten



#### ACHTUNG!

- Der Kühlschrank darf nicht mit Tür in Fahrtrichtung zeigend im Heck eines Wohnmobils montiert werden.
- Verwenden Sie ausschließlich original Dometic Lüftungsgitter, um einen sicheren Betrieb zu gewährleisten.

Beachten Sie bei der Montage des Kühlschranks folgende Hinweise:

- Damit das Kältemittel ordnungsgemäß zirkulieren kann, darf der Kühlschrank einen Neigungswinkel von  $3^\circ$  nicht überschreiten. Stellen Sie hierzu das Fahrzeug waagrecht ab.
- Der Kühlschrank muss so eingebaut werden, dass er
  - für Servicearbeiten gut zugänglich ist
  - leicht aus- und eingebaut werden kann
  - ohne großen Aufwand aus dem Fahrzeug entnommen werden kann
- Der Kühlschrank muss in eine Nische eingebaut werden, damit er bei Bewegung des Fahrzeugs fest steht. Beachten Sie hierzu die Abmessungen in Abb. **1**, Seite 3.
- In der Außenwand muss eine Belüftungsöffnung (Abb. **2** 1, Seite 4) und eine Entlüftungsöffnung (Abb. **2** 2, Seite 4) mit Lüftungsgitter vorgesehen werden, damit die entstehende Wärme gut nach außen abgegeben werden kann:
  - Belüftungsöffnung: Lüftungsgitter möglichst bündig zum Boden der Einbaunische.
  - Entlüftungsöffnung: möglichst weit oberhalb des Kühlschranks.
  - Der Abstand zwischen Belüftungsöffnung und Entlüftungsöffnung muss mindestens 1250 mm betragen (Abb. **3**, Seite 4).
- Sehen Sie oberhalb des Kühlschranks ein Wärmeleitblech vor (Abb. **3** 1, Seite 4), damit sich die Wärme nicht im Fahrzeug staut.
- Der Abstand zwischen Kühlschrank und Rückwand muss mindestens 15 mm aber maximal 25 mm betragen.
- Ein Abstand von über 25 mm zwischen Kühlschrank und Rückwand führt zu Leistungseinbußen und erhöhtem Energieverbrauch des Kühlschranks. Verkleinern Sie den Hohlraum hinter dem Kühlschrank entsprechend, um eine ausreichende Be- und Entlüftung herzustellen (Abb. **4**, Seite 5). Nutzen Sie hierzu z. B. ein Luftleitblech.
- Falls der Mindestabstand zwischen Belüftungsöffnung und Entlüftungsöffnung nicht eingehalten werden kann, muss statt der Entlüftungsöffnung ein Dachentlüfter verbaut werden.
  - Der Dachentlüfter sollte möglichst direkt über der Rückseite des Kühlschranks angebracht werden. Nutzen Sie einen Luftkanal (Abb. **5** 1, Seite 5), wenn Sie den Dachentlüfter versetzt anbringen müssen, da sonst ein Wärmestau entsteht.
  - Der Abstand zwischen Belüftungsöffnung und Dachentlüfter muss mindestens 1800 mm betragen (Abb. **5**, Seite 5).
  - Falls eine Dachklimaanlage vorhanden ist, muss der Abstand zwischen Dachentlüfter (Abb. **6** 1, Seite 6) und Luftauslass der Dachklimaanlage (Abb. **6** 2, Seite 6) mindestens 300 mm betragen.

- Der Kühlschrank darf nicht seitlich zu den Be- und Entlüftungsöffnungen eingebaut werden, da dies zu Leistungseinbußen und erhöhtem Energieverbrauch des Kühlschranks führt.
- Die Belüftungs- und Entlüftungsöffnung dürfen im Betrieb nicht durch Fahrzeugteile abgedeckt werden (z. B. geöffnete Tür oder durch den Anbau von Zubehör wie Fahrradträger).
- Installieren Sie den Kühlschrank geschützt gegen übermäßige Wärmeeinstrahlung, da diese zu Leistungseinbußen und erhöhtem Energieverbrauch des Kühlschranks führt.
- Der Kühlschrank muss zugdicht eingebaut werden.

## 4.2 Kühlschrank zugdicht einbauen



### **WARNUNG! Brandgefahr!**

- Verwenden Sie zum zugdichten Einbau keine leicht entflammaren Materialien wie Silikon-Dichtungsmassen, Montageschaum oder Ähnliches.
- Positionieren Sie das Gerät so, dass kein Anschlusskabel beschädigt oder eingequetscht wird.
- Verwenden Sie keine Mehrfachsteckdosen oder tragbare Netzteile hinter dem Gerät.

Gasbetriebene Kühlschränke in Wohnwagen oder Wohnmobilen müssen zugdicht eingebaut werden. Das bedeutet, dass die Verbrennungsluft nicht dem Innenraum entnommen wird und die Abgase am direkten Eintritt in den Wohnraum gehindert werden.

Zwischen Rückwand des Kühlschranks und dem Innenraum des Fahrzeugs muss eine geeignete Abdichtung vorgesehen werden.

Der Hersteller empfiehlt, eine flexible Dichtung zu verwenden, um den Aus- und Einbau zu Wartungszwecken zu vereinfachen.

Wählen Sie eine der drei Varianten für den zugdichten Einbau (Abb. **7**, Seite 7):

### **Anschlagleiste hinter dem Kühlschrank (A)**

- Kleben Sie eine flexible Dichtungslippe (**1**) an einer Anschlagleiste (**2**) hinter dem Kühlschrank (**3**).
- Schieben Sie den Kühlschrank gegen die Anschlagleisten mit den Dichtlippen.
- ✓ Der Raum hinter dem Kühlschrank ist zum Innenraum des Fahrzeugs abgedichtet.

### Seitlicher Spaltabstand von bis zu 5 mm zwischen Kühlschrank und Möbel (B)

- ▶ Kleben Sie die Dichtung (siehe Kapitel „Zubehör“ auf Seite 29) seitlich auf das Möbel (4).
- ▶ Schieben Sie den Kühlschrank gegen die Dichtung am Möbel.
- ✓ Der Raum hinter dem Kühlschrank ist zum Innenraum des Fahrzeugs abgedichtet.

### Seitlicher Spaltabstand von 5 mm bis 10 mm zwischen Kühlschrank und Möbel (C)

- ▶ Kleben Sie die Doppellippendichtung (siehe Kapitel „Zubehör“ auf Seite 29) seitlich auf das Möbel (4).
- ▶ Schieben Sie den Kühlschrank gegen die Doppellippendichtung am Möbel.
- ✓ Der Raum hinter dem Kühlschrank ist zum Innenraum des Fahrzeugs abgedichtet.

## 4.3 Be- und Entlüftungsöffnungen herstellen



### HINWEIS

- Abweichungen der hier dargestellten Be- und Entlüftungsvarianten müssen vom Hersteller freigegeben werden.
- Bei hohen Umgebungstemperaturen kann der Kühlschrank nur dann seine maximale Kühlleistung erbringen, wenn für eine optimale Be- und Entlüftung gesorgt ist.

- ▶ Fertigen Sie eine Belüftungs- und eine Entlüftungsöffnung in der Außenwand mit der Größe 249 mm x 490 mm an.

Beachten Sie dabei die Hinweise im Kapitel „Einbau vorbereiten“ auf Seite 29.

Falls das Lüftungsgitter der Belüftungsöffnung nicht bündig zum Boden der Einbaunische eingebaut werden kann, bauen Sie eine Belüftungsöffnung im Fußboden ein. Eventuell austretendes Gas kann so nach unten abfließen.

- ▶ Fertigen Sie hinter dem Kühlschrank im Bereich des Gasbrenners eine Belüftungsöffnung von mindestens  $\varnothing$  40 mm im Boden an (Abb. 8 1, Seite 8).
- ▶ Schirmen Sie die Außenseite der Öffnung mit einem Ablenker ab, damit während der Fahrt kein Schlamm oder Dreck eindringen kann (Abb. 8 2, Seite 8).



Falls Sie statt der Entlüftungsöffnung einen Dachentlüfter nutzen müssen:

- ▶ Fertigen Sie einen Rahmenausschnitt im Dach an. Entnehmen Sie das erforderliche Maß der Anleitung des Dachentlüfters. Beachten Sie dabei die Hinweise im Kapitel „Einbau vorbereiten“ auf Seite 29.

## 4.4 Lüftungsgitter montieren



### HINWEIS

Verwenden Sie ausschließlich original Dometic Lüftungsgitter, um einen sicheren Betrieb zu gewährleisten.

Pos. in Abb. <b>9</b> , Seite 8	Bezeichnung
1	Schieber
2	Lüftungsgitter
3	Einbaurahmen
4	Fixierung für Kondenswasserablauf

- ▶ Dichten Sie den Einbaurahmen wasserdicht ab (Abb. **10**, Seite 8).
- ▶ Setzen Sie den Einbaurahmen ein und schrauben Sie ihn fest (Abb. **11**, Seite 8). Benutzen Sie dafür alle Befestigungsbohrungen.
- ▶ Setzen Sie das Lüftungsgitter ein wie dargestellt (Abb. **12**, Seite 9).

## 4.5 Kondenswasserablauf montieren



### HINWEIS

- Durch häufiges Türöffnen, falsch oder zu heiß gelagerte Lebensmittel kann sich Kondenswasser innerhalb des Kühlschranks bilden.
- Kondenswasser muss mit stetem Gefälle abgeführt werden.

Montieren Sie den Kondenswasserablauf wie folgt:

### Variante 1

- ▶ Führen Sie den Kondenswasserschlauch vom Kühlschrank über eine Bodenöffnung, die unter das Fahrzeug führt, nach außen.

## Variante 2

- ▶ Bringen Sie den Kondenswasserschlauch direkt am Lüftungsgitter an der dafür vorgesehenen Fixierung an (Abb. **9** 4, Seite 8).

## 4.6 Dachentlüfter montieren

Pos. in Abb. <b>13</b> , Seite 9	Bezeichnung
1	Haube
2	Einbaurahmen

- ▶ Dichten Sie den Einbaurahmen wasserdicht ab (Abb. **14**, Seite 9).
- ▶ Setzen Sie den Einbaurahmen ein und schrauben Sie ihn fest (Abb. **15**, Seite 9). Benutzen Sie dafür alle Befestigungsbohrungen.
- ▶ Setzen Sie die Haube auf und schrauben Sie sie fest (Abb. **16**, Seite 9).

## 4.7 Kühlschrank befestigen



### VORSICHT!

Schrauben Sie immer durch die dafür vorgesehenen Buchsen, da ansonsten eingeschäumte Bauteile wie Leitungen beschädigt werden können.



### HINWEIS

Befestigen Sie die Seitenwände oder die angebrachten Leisten so, dass die Schrauben auch bei erhöhter Beanspruchung (während der Fahrt) fest sitzen.

- ▶ Bringen Sie den Kühlschrank in seine endgültige Position.
- ▶ Drehen Sie sechs Schrauben (Abb. **17** 1, Seite 10) durch die sechs Kunststoffbuchsen in den Seitenwänden des Kühlschranks und weiter in die Nischenwand.
- ▶ Setzen Sie die Abdeckkappen (Abb. **17** 2, Seite 10) auf die Schraubenköpfe.

## 5 Kühlschrank anschließen

### 5.1 An die Gasversorgung anschließen



#### ACHTUNG!

- Der Kühlschrank darf nur von einer Fachkraft gemäß den geltenden Vorschriften und Normen an die Gasversorgung angeschlossen werden.
- Ein Schlauchanschluss ist **nicht** zulässig.
- Verwenden Sie eine metallisch dichtende Verschraubung.
- Der Gasfilter (weiß) im Gasanschluss des Kühlschranks darf nicht entfernt werden.
- Verwenden Sie nur Propan- oder Butangasflaschen (kein Erdgas oder Stadtgas) mit geprüftem Druckreduzierventil und passendem Kopfstück. Vergleichen Sie die Druckangabe auf dem Typenschild mit der Druckangabe auf dem Druckregler der Propan- oder Butangasflasche.
- Der Kühlschrank darf **ausschließlich** mit dem auf dem Typenschild angegebenen Druck betrieben werden.
- Der Kühlschrank darf **ausschließlich** mit der auf dem Typenschild angegebenen Gasart betrieben werden.
- Bitte beachten Sie die in Ihrem Land zugelassenen Drücke. Verwenden Sie nur festeingestellte Druckregler, die den nationalen Vorschriften entsprechen.



#### HINWEIS

Optional können Sie das flexible Gasanschlußrohr von Dometic verwenden, damit die Installation spannungsfrei bleibt.

Der Kühlschrank muss durch eine Absperrereinrichtung in der Gasleitung separat absperrbar sein. Die Absperrereinrichtung muss leicht zugänglich sein.

- Verbinden Sie den Kühlschrank fest und spannungsfrei mit der Gasversorgung (Abb. **18**, Seite 10):

Beachten Sie folgende Angaben:

Pos. in Abb. <b>18</b> , Seite 10	Bezeichnung
1	Schraube M4 (Torx TX20), Anzugsdrehmoment: 2 Nm
2	Kühlschrank-Gasverbindung: M14 x 1,5 (d = 8 mm/ISO8434 (DIN2353))
3	Gasleitung mit Schneidringverbindung (SW 17), Anzugsdrehmoment: 25 Nm

- Lassen Sie nach der fachgerechten Installation eine Dichtheitsprüfung und eine Flammprobe von einer autorisierten Fachkraft durchführen. Lassen Sie sich eine Bescheinigung dieser Prüfung ausstellen und händigen Sie diese Bescheinigung dem Endnutzer zur Aufbewahrung aus.

## 5.2 An Gleichstrom und Wechselstrom anschließen



### **ACHTUNG!**

Die elektrische Installation sowie Reparaturen dürfen nur von einer Fachkraft gemäß den geltenden Vorschriften und Normen ausgeführt werden.



### HINWEIS

- Der Gerätestecker darf nicht direkt hinter dem Lüftungsgitter platziert sein, um die Luftzirkulation nicht zu beeinträchtigen und den Gerätestecker vor Spritzwasser zu schützen.
- Der Gerätestecker des Wechselstrom-Anschlusskabels darf nicht abgeschnitten werden.
- Die Anschlusskabel müssen so verlegt sein, dass sie nicht mit heißen Teilen des Aggregats/Brenners oder mit scharfen Kanten in Berührung kommen.
- Veränderungen an der internen elektrischen Installation oder der Anschluss anderer elektrischer Komponenten (z. B. fremder Zusatzlüfter) an der internen Verkabelung des Kühlschranks führen zum Erlöschen jeglicher Ansprüche aus Gewährleistung und Produkthaftung!
- Der Kühlschrank verfügt über eine CI-Bus-Schnittstelle und kann über ein kompatibles Fahrzeug-Zentraldisplay gesteuert werden.

### Schaltplan des Kühlschranks (Abb. 19, Seite 11)

Pos. in Abb. 19, Seite 11	Bezeichnung
1	Kühlventilator 1 (falls Optionsmodul nicht verfügbar ist)
2	Kühlventilator 2 (falls Optionsmodul nicht verfügbar ist)
3	S+ (optional)
4	Heizpatrone (Gleichstrom)
5	Gleichstrom-Relais mit 20 A Sicherung für Heizpatrone
6	NTC 1: Kühlraum NTC 2:Außentemperatur (optional)
7	Gasventil
8	Wechselstrom-Anschluss
9	Heizpatrone (Wechselstrom)
10	Gasbrenner
11	Anschlussblock
12	Beleuchtung
13	Display
14	Rahmenheizung

Pos. in Abb. <b>19</b> , Seite 11	Bezeichnung
15	Kühlventilator 2 (falls Optionsmodul verfügbar ist)
16	Kühlventilator 1 (falls Optionsmodul verfügbar ist)
17	Optionsmodul
18	Gleichstrom-Versorgung für Ofen (falls Optionsmodul verfügbar ist)
19	Gleichstrom-Versorgungskabel für Optionsmodul
20	CI-Bus Data Anschluss
21	Gleichstrom-Anschluss
22	Gleichstrom-Stecker (Vorderansicht) <ul style="list-style-type: none"> <li>• AMP/Tyco: 180906</li> <li>• CS Colombo: 63N025</li> </ul>
23	Gleichstrom-Anschlusskabel Elektronik
24	Gleichstrom-Anschlusskabel Heizpatrone
25	interne Gleichstrom-Versorgung, max. 1 A (Optionsmodul, Ofen, Kühlventilator)

## Gleichstrom



### WARNUNG! Brandgefahr!

- Die Zuleitung zum Heizelement muss mit einer 20 A Sicherung abgesichert sein.
- Die Zuleitung zur Elektronik muss mit einer 2 A Sicherung abgesichert sein.



### ACHTUNG!

Die jeweiligen Plus- und Minusleitungen der Gleichstrom-Anschlüsse für Elektronik (Abb. **19** 23, Seite 11) und Heizelement (Abb. **19** 24, Seite 11) dürfen **nicht** miteinander verbunden und auf eine Leitung geführt werden. Es kann sonst zu elektrischer Beeinflussung oder Beschädigung elektrischer Bauteile kommen.


Beachten Sie folgende Leitungsquerschnitte:

- < 6 m (im Innenraum): mindestens 6 mm<sup>2</sup>
  - > 6 m (im Innenraum): mindestens 10 mm<sup>2</sup>
  - Verbindungen Elektronik und Heizelement: 0,75 mm<sup>2</sup>
  - Verbindungen D+ und S+: 0,75 mm<sup>2</sup>
  - Über Deichsel geführte Kabel (nur Wohnwagen): 2,5 mm<sup>2</sup>
- Konfektionieren Sie ihre Gleichstrom-Buchse wie folgt (Abb. **19** 21, Seite 11):
- Verbinden Sie **A** und **C** mit dem Pluspol der Batterie.
  - Verbinden Sie **D** und **F** mit Masse.
  - Verbinden Sie **B** mit dem D+ -Signal.  
Die Elektronik des Kühlschranks nutzt das Signal D+ der Lichtmaschine, um den laufenden Fahrzeugmotor zu erkennen. Der Kühlschrank wählt im automatischen Modus die günstigste vorhandene Betriebsart aus. Der Kühlschrank wird nur mit Gleichstrom betrieben, wenn der Fahrzeugmotor läuft.
  - Verbinden Sie **E** mit dem CI-BUS.
- Verbinden Sie **3** mit dem S+ -Signal (optional).
- Sichern Sie die Zuleitung **A** mit 2 A in der Stromverteilerbox des Fahrzeugs ab.
- Sichern Sie die Zuleitung **C** mit 20 A in der Stromverteilerbox des Fahrzeugs ab.
- Führen Sie die Zuleitung **C** über ein zündgesteuertes Relais.  
Hierdurch wird verhindert, dass die Batterie bei versehentlich abgeschaltetem Motor komplett entladen wird.

## Wechselstrom

- Schließen Sie den Kühlschrank mit dem Gerätestecker an eine Wechselstromsteckdose an.

## 6 Technische Daten

	<b>RMD10.5(T)</b>	<b>RMD10.5X(T)</b>	<b>RMD10.5XS</b>	<b>RMD10.5S</b>
Anschlussspannung:	230 V~ /50 Hz 12 V===			
Inhalt				
Bruttoinhalt:	153 l	177 l	177 l	153 l
Kühlraum:	124 l	142 l	142 l	124 l
Frosterfach:	29 l	35 l	35 l	29 l
Nutzinhalt insgesamt:	147 l	171 l	171 l	147 l
Leistungsaufnahme:	250 W (230 V~) 170 W (12 V===)			
Energieverbrauch:	4,4 kWh/24 h (230 V~)			
Gasverbrauch:	580 g/24 h			
Klimaklasse:	SN			
Abmessungen H x B x T:	1245 x 523 x 550 mm	1245 x 523 x 605 mm	1245 x 523 x 605 mm	1245 x 523 x 550 mm
Gewicht:	40 kg	41,5 kg	40,5 kg	39 kg
Prüfung/Zertifikat:				

Die aktuelle EU-Konformitätserklärung für Ihr Gerät erhalten Sie auf der jeweiligen Produktseite auf [dometic.com](http://dometic.com) oder direkt über den Hersteller (siehe Rückseite).



Veuillez lire et suivre attentivement l'ensemble des instructions, directives et avertissements figurant dans ce manuel afin de vous assurer que vous installez, utilisez et entretenez le produit correctement à tout moment. Ces instructions DOIVENT rester avec ce produit.

En utilisant le produit, vous confirmez par la présente que vous avez lu attentivement l'ensemble des instructions, directives et avertissements et que vous comprenez et acceptez de respecter les modalités et conditions énoncées dans le présent document. Vous acceptez d'utiliser ce produit uniquement pour l'usage et l'application prévus et conformément aux instructions, directives et avertissements figurant dans le manuel du produit, ainsi qu'à toutes les lois et réglementations applicables. Si vous ne lisez et ne respectez pas les instructions et les avertissements figurant dans ce manuel, vous risquez de vous blesser ou de blesser d'autres personnes, d'endommager votre produit ou d'endommager d'autres biens à proximité. Le présent manuel produit, y compris les instructions, directives et avertissements, ainsi que la documentation associée peuvent faire l'objet de modifications et de mises à jour. Pour obtenir des informations actualisées sur le produit, rendez-vous sur [dometic.com](http://dometic.com).

## Sommaire

1	Signification des symboles . . . . .	41
2	Consignes de sécurité . . . . .	42
3	Accessoires . . . . .	44
4	Installation du réfrigérateur . . . . .	44
5	Raccordement du réfrigérateur . . . . .	51
6	Caractéristiques techniques . . . . .	56

## 1 Signification des symboles



### AVERTISSEMENT !

**Consigne de sécurité** signalant une situation dangereuse qui peut entraîner la mort ou de graves blessures si elle n'est pas évitée.



### ATTENTION !

**Consigne de sécurité** signalant une situation dangereuse qui peut entraîner des blessures de gravité moyenne ou légère si elle n'est pas évitée.



### AVIS !

Remarque signalant une situation qui peut entraîner des dommages matériels si elle n'est pas évitée.



### REMARQUE

Informations complémentaires sur l'utilisation du produit.

## 2 Consignes de sécurité

Le fabricant décline toute responsabilité pour des dommages dans les cas suivants :

- des défauts de montage ou de raccordement
- des sollicitations mécaniques et une tension de raccordement incorrecte ayant endommagé le matériel
- des modifications apportées au produit sans autorisation explicite de la part du fabricant
- une utilisation différente de celle décrite dans la notice



**AVERTISSEMENT ! Le non-respect de ces mises en garde peut entraîner des blessures graves, voire mortelles.**

### Risque d'explosion

- N'ouvrez jamais le module de l'absorbeur. Il se trouve sous haute pression et peut provoquer des blessures si il est ouvert.
- Faites fonctionner le réfrigérateur **uniquement** avec une pression correspondant à celle indiquée sur la plaque signalétique. Utilisez uniquement des régulateurs de pression à réglage fixe correspondant aux prescriptions nationales (en Europe EN 12864).

### Risque d'incendie

- Assurez un traitement propre et sans traces lorsque du mastic au silicone ou un produit similaire est utilisé. Tout contact de fils de silicone avec des pièces chaudes ou des flammes nues présente un risque d'incendie.
- Ne contrôlez jamais l'étanchéité du réfrigérateur à l'aide d'une flamme nue.
- Utilisez uniquement du gaz propane ou butane (**pas de** gaz naturel).

### Risque pour la santé

- Si le réfrigérateur présente des dégâts visibles, vous ne devez pas le mettre en service.
- Si le câble de raccordement en courant alternatif du réfrigérateur est endommagé, il doit être remplacé par le fabricant, son service après-vente ou une personne de qualification similaire, afin d'éviter tout danger.
- Seul un professionnel est habilité à réparer le réfrigérateur. Toute réparation mal effectuée risquerait d'entraîner de graves dangers.

**Risque d'asphyxie**

- Démontez toutes les portes du réfrigérateur lors du retraitement d'un ancien réfrigérateur et laissez les tablettes dans le réfrigérateur afin d'éviter tout risque d'enfermement et d'asphyxie accidentels.

**ATTENTION ! Le non-respect de ces mises en garde peut entraîner des blessures légères ou de gravité modérée.****Choc électrique**

- Avant de mettre l'appareil en service, assurez-vous que la ligne d'alimentation électrique et le connecteur sont secs.

**Risque d'écrasement**

- Ne touchez pas la charnière.

**AVIS ! Risque d'endommagement**

- Lors du transport, ne fixez le réfrigérateur que par le corps du réfrigérateur. Ne le fixez jamais au module de l'absorbeur, aux ailettes de refroidissement, aux conduites de gaz, à la porte ou au panneau de commande.
- Lors du transport, veillez à ne pas endommager le circuit frigorifique. Le réfrigérant du circuit frigorifique s'enflamme facilement. En cas d'endommagement du circuit frigorifique (odeur d'ammoniaque) :
  - Le cas échéant, éteignez le réfrigérateur.
  - Évitez tout feu ouvert et toute étincelle.
  - Aérez bien la pièce.
- Ne montez pas le réfrigérateur près de flammes nues ou d'autres sources de chaleur (chauffage, fours à gaz, etc.).
- **Risque de surchauffe !**

Veillez toujours à ce que la chaleur produite lors du fonctionnement puisse se dissiper suffisamment. Veillez à ce que le réfrigérateur se trouve à distance suffisante des murs ou des objets, de sorte que l'air puisse circuler.
- Vérifiez que la tension indiquée sur la plaque signalétique correspond à l'alimentation électrique dont vous disposez.
- N'ouvrez jamais le circuit frigorifique.
- Pour raccorder le réfrigérateur au courant alternatif, veuillez utiliser exclusivement la prise de courant correspondante.
- Utilisez uniquement des câbles de la section appropriée.

- Ne tirez jamais sur le câble de raccordement pour sortir la fiche de la prise.
- Le réfrigérateur ne doit pas être exposé à la pluie.

## 3 Accessoires

### Description

Conduites de gaz flexibles

Joints pour une installation à l'épreuve des courants d'air en cas d'écarts de 1 – 5 mm (fig. **7 B**, page 7)

Joints pour une installation à l'épreuve des courants d'air en cas d'écarts de 5 – 10 mm (fig. **7 C**, page 7)

Couvercle d'hivernage LS300 pour la grille de ventilation

Câble adaptateur

- WAGO > CEE
- WAGO > UK
- WAGO > JST
- WAGO > MATE-N-LOK

Kit de ventilateur optionnel REF-FANKIT

Bloc de piles optionnel R10-BP pour fonctionnement autonome au gaz

Connecteur Ø2,5/5,5 mm en option pour une exploitation autonome du gaz avec un banc d'alimentation de 9 V==

## 4 Installation du réfrigérateur



Vous trouverez le manuel d'instructions pour le remplacement de la butée de porte et de la façade en ligne, sous :

[documents.dometic.com/?object\\_id=63258](https://documents.dometic.com/?object_id=63258)

L'appareil est conçu pour le montage dans :

- des caravanes
- des camping-cars

## 4.1 Préparation au montage



### AVIS !

- Le réfrigérateur ne doit pas être installé à l'arrière des caravanes avec la porte orientée dans le sens de la marche.
- Utilisez uniquement des grilles de ventilation Dometic d'origine pour garantir un fonctionnement en toute sécurité.

Tenez compte des remarques suivantes lors du montage du réfrigérateur :

- Pour que le frigorigène puisse circuler correctement, le réfrigérateur ne doit pas dépasser un angle d'inclinaison de 3°.  
Garez le véhicule horizontalement à cet effet.
- Le réfrigérateur doit être installé de sorte
  - à être facilement accessible pour les travaux de maintenance
  - à pouvoir être installé et désinstallé facilement
  - à pouvoir être retiré sans trop d'effort du véhicule
- Le réfrigérateur doit être construit dans une alcôve, afin qu'il soit stable lorsque le véhicule se déplace. Notez les dimensions dans fig. **1**, page 3 à cette fin.
- La paroi extérieure doit comporter une ouverture de ventilation (fig. **2** 1, page 4) et une ouverture d'aération (fig. **2** 2, page 4) équipée d'une grille d'aération, afin que la chaleur formée puisse être évacuée correctement vers l'extérieur :
  - Ouverture de ventilation : Installez la grille d'aération aussi affleurée que possible à la base de la niche d'installation.
  - Ouverture d'aération : aussi loin que possible au-dessus du réfrigérateur.
  - La distance entre l'ouverture d'aération et l'ouverture d'échappement d'air doit être d'au moins 1250 mm (fig. **3**, page 4).
- Prévoyez un déflecteur de chaleur au-dessus du réfrigérateur (fig. **3** 1, page 4) afin que la chaleur ne s'accumule pas dans le véhicule.
- La distance entre le réfrigérateur et le mur arrière doit être d'au moins 15 mm et d'au plus 25 mm.
- Une distance de plus de 25 mm entre le réfrigérateur et la paroi arrière conduit à de mauvaises performances et à une consommation d'énergie accrue du réfrigérateur. Par conséquent, réduisez la cavité derrière le réfrigérateur pour produire une ventilation et un échappement suffisants (fig. **4**, page 5). Pour ce faire, utilisez par exemple un déflecteur d'air.

- Si la distance minimale entre l'ouverture d'aération et l'ouverture de ventilation ne peut être respectée, un ventilateur de toit doit être installé à la place de l'ouverture de ventilation.
  - Le ventilateur de toit doit être situé, autant que possible, directement au-dessus de la paroi arrière du réfrigérateur. Utilisez un canal d'air (fig. **5** 1, page 5) si vous avez besoin d'installer le ventilateur de toit de manière décalée, car sinon la chaleur s'accumule.
  - La distance entre l'ouverture d'aération et le ventilateur de toit doit être d'au moins 1 800 mm (fig. **5**, page 5).
  - Si un climatiseur de toit existe, la distance entre le ventilateur de toit (fig. **6** 1, page 6) et la sortie d'air du climatiseur de toit (fig. **6** 2, page 6) doit être d'au moins 300 mm.
- Le réfrigérateur ne doit pas être installé latéralement par rapport aux ouvertures d'aération et de ventilation, car cela entraînerait une baisse des performances et une augmentation de la consommation d'énergie du réfrigérateur.
- L'ouverture d'aération et l'ouverture de ventilation ne doivent pas être recouvertes par des pièces du véhicule pendant le fonctionnement (p. ex. porte ouverte ou accessoires, comme porte-vélos).
- Installez le réfrigérateur à l'abri d'un rayonnement excessif de chaleur, car cela conduit sinon à des pertes de la performance et augmente la consommation d'énergie du réfrigérateur.
- Le réfrigérateur doit être encastré sans passage d'air.

## 4.2 Encastrement du réfrigérateur sans passage d'air



### **AVERTISSEMENT ! Risque d'incendie !**

- Pour l'encastrement hermétique, n'utilisez pas de matériaux facilement inflammables comme les mastics en silicone, mousse de montage, etc.
- Placez l'appareil de sorte qu'aucun câble de raccordement ne soit endommagé ou écrasé.
- N'utilisez pas de multiprises ou d'adaptateurs portables placés derrière l'appareil.

Les appareils de refroidissement fonctionnant au gaz dans des camping-cars ou caravanes doivent être encastrés hermétiquement. Cela signifie que l'air nécessaire à la combustion n'est pas pris dans l'habitacle et que les gaz d'échappement ne pénètrent pas directement dans l'espace habitable.

Un colmatage adapté doit être prévu entre l'arrière du réfrigérateur et l'intérieur du véhicule.

Le fabricant recommande d'utiliser un joint flexible afin de simplifier le démontage et le montage à des fins de maintenance.

Sélectionnez l'une des trois versions pour une installation à l'épreuve des courants d'air (fig. **7**, page 7) :

### **Barre de butée derrière le réfrigérateur (A)**

- ▶ Fixez une lèvre d'étanchéité flexible (**1**) sur une barre de butée (**2**) derrière le réfrigérateur (**3**).
- ▶ Poussez le réfrigérateur-four contre la barre de butée avec les lèvres d'étanchéité flexibles.
- ✓ L'espace se trouvant derrière le réfrigérateur est hermétiquement solidaire de l'habitable.

### **Distance d'écart latéral de jusqu'à 5 mm entre le réfrigérateur et le mobilier (B)**

- ▶ Collez les lèvres d'étanchéité (voir chapitre « Accessoires », page 44) sur le côté du mobilier (**4**).
- ▶ Poussez la combinaison réfrigérateur-four contre les lèvres d'étanchéité flexibles sur le mobilier.
- ✓ L'espace se trouvant derrière le réfrigérateur est hermétiquement solidaire de l'habitable.

### **Distance d'écart latéral de 5 mm à 10 mm entre le réfrigérateur et le mobilier (C)**

- ▶ Collez la double lèvre d'étanchéité (voir chapitre « Accessoires », page 44) sur le côté du mobilier (**4**).
- ▶ Poussez la combinaison réfrigérateur-four contre la double lèvre d'étanchéité sur le mobilier.
- ✓ L'espace se trouvant derrière le réfrigérateur est hermétiquement solidaire de l'habitable.

### 4.3 Fabrication des ouvertures de ventilation et d'aération



#### REMARQUE

- Les écarts par rapport aux variations d'entrée et de sortie indiquées ici doivent être approuvés par le fabricant.
- En cas de températures ambiantes élevées, le réfrigérateur ne peut fournir sa puissance frigorifique maximale que si l'aération et la ventilation sont optimales.

- Pratiquez une ouverture d'aération et de ventilation de 249 mm x 490 mm dans la paroi extérieure.

Ce faisant, respectez les consignes, voir chapitre « Préparation au montage », page 45.

Si la grille d'aération de l'ouverture d'aération ne peut pas être montée au même niveau que le plancher de l'alcôve, prévoir en plus une ouverture d'aération dans le plancher du véhicule. Toute fuite de gaz peut ainsi s'écouler vers le bas.

- Pratiquez une ouverture d'aération d'au moins  $\varnothing$  40 mm dans le plancher (fig. **8** 1, page 8) derrière le réfrigérateur, dans la zone du brûleur.
- Protégez l'extrémité de l'ouverture avec un déflecteur pour que ni boue ni salissures ne puissent y pénétrer pendant le trajet (fig. **8** 2, page 8).

Si vous avez besoin d'utiliser un ventilateur de toit au lieu de l'ouverture d'aération :

- Faites une découpe du cadre dans le toit. Pour connaître les mesures requises, consultez les instructions de la ventilation de toit.  
Ce faisant, respectez les consignes, voir chapitre « Préparation au montage », page 45.



## 4.4 Montage de la grille de ventilation



### REMARQUE

Utilisez uniquement des grilles de ventilation Dometic d'origine pour garantir un fonctionnement en toute sécurité.

Pos. dans fig. 9, page 8	Description
1	Glissière
2	Grille d'aération
3	Cadre de montage
4	Fixation pour évacuation de la condensation

- ▶ Scellez le cadre d'installation pour rendre la connexion étanche (fig. 10, page 8).
- ▶ Insérez le cadre de montage et vissez-le (fig. 11, page 8). Utilisez tous les trous de fixation pour cela.
- ▶ Introduisez la grille d'aération comme indiqué (fig. 12, page 9).

## 4.5 Installation de l'évacuation de condensation



### REMARQUE

- De la condensation peut se former à l'intérieur du réfrigérateur en raison de l'ouverture fréquente de la porte, d'aliments stockés de manière incorrecte ou d'aliments stockés lorsqu'il fait trop chaud.
- La condensation doit être évacuée avec une pente constante.

Installez l'évacuation de condensation comme suit :

### Variante 1

- ▶ Faites passer le tuyau de condensation du réfrigérateur à travers une ouverture dans le plancher qui passe à l'extérieur, sous le véhicule.

### Variante 2

- ▶ Fixez le tuyau de condensation directement sur le raccord prévu sur la grille de ventilation (fig. 9 4, page 8).

## 4.6 Montage du ventilateur de toit

Pos. dans fig. 13, page 9	Description
1	Capot
2	Cadre de montage

- ▶ Scellez le cadre d'installation pour rendre la connexion étanche (fig. 14, page 9).
- ▶ Insérez le cadre de montage et vissez-le (fig. 15, page 9). Utilisez tous les trous de fixation pour cela.
- ▶ Placez le capot par dessus et vissez-le (fig. 16, page 9).

## 4.7 Fixation du réfrigérateur



### ATTENTION !

Vissez toujours à travers les douilles prévues ; dans le cas contraire, les composants en mousse et les câbles, entre autres, pourraient être endommagés.



### REMARQUE

Fixez les parois latérales ou les plinthes de telle sorte que les vis soient bien serrées, même sous une charge accrue (pendant la conduite).

- ▶ Placez le réfrigérateur à son emplacement définitif.
- ▶ Vissez les six vis (fig. 17 1, page 10) dans les six douilles en plastique des parois latérales du réfrigérateur puis dans la niche murale.
- ▶ Placez les bouchons (fig. 17 2, page 10) sur les têtes des vis.

## 5 Raccordement du réfrigérateur

### 5.1 Raccordement à l'alimentation en gaz



#### AVIS !

- Seul un spécialiste est habilité à raccorder le réfrigérateur à l'alimentation au gaz, conformément aux directives et normes en vigueur.
- Il est **interdit** d'utiliser un raccord pour tuyaux.
- Utilisez un raccord à vis métallique.
- Le filtre à gaz (blanc) du raccordement de gaz du réfrigérateur ne doit pas être retiré.
- Utilisez uniquement des bouteilles de gaz propane ou butane (pas de gaz naturel ou gaz de ville) dont la vanne de réduction de pression a été contrôlée et un embout correspondant. Vérifiez que les données inscrites sur le régulateur de pression de la bouteille de propane ou de butane correspondent aux données inscrites sur la plaque signalétique.
- Faites fonctionner le réfrigérateur **uniquement** avec une pression correspondant à celle indiquée sur la plaque signalétique.
- Faites fonctionner le réfrigérateur **uniquement** avec le type de gaz correspondant à celui indiqué sur la plaque signalétique.
- Veuillez tenir compte des pressions autorisées dans votre pays. Utilisez uniquement des régulateurs de pression à réglage fixe correspondant aux prescriptions nationales.



#### REMARQUE

Vous pouvez aussi utiliser le tube-raccord de gaz flexible Dometic pour conserver l'installation hors tension.

Le réfrigérateur doit pouvoir être séparé de la conduite de gaz par un dispositif de blocage. Le dispositif de blocage doit être facile d'accès.

- Branchez le réfrigérateur de manière fixe et libre de tension à l'alimentation en gaz (fig. 18, page 10) :

Veillez respecter les consignes suivantes :

Pos. dans fig. 18, page 10	Description
1	Vis M4 (Torx TX20), Couple de serrage : 2 Nm
2	Raccordement du gaz du réfrigérateur : M14 x 1,5 (d = 8 mm/ISO8434 (DIN2353))
3	Tuyau de gaz avec accouplement à bague (taille 17), Couple de serrage : 25 Nm

- Faites effectuer un test de fuite et un test de flamme par un spécialiste autorisé après une installation professionnelle.  
Faites vous remettre un certificat de ce test et remettez-le à l'utilisateur final pour qu'il le conserve en lieu sûr.

## 5.2 Raccordement au CC et CA



### AVIS !

L'installation électrique et les réparations doivent être effectuées par un spécialiste, en conformité avec les règlements et les normes applicables.



### REMARQUE

- Le connecteur de l'appareil ne doit pas être placé directement derrière la grille d'aération afin de ne pas compromettre la circulation d'air et de protéger le connecteur de l'appareil des projections d'eau.
- Le connecteur de l'appareil au courant alternatif ne doit pas être coupé.
- Les câbles de raccordement doivent être posés de telle sorte qu'ils ne sont pas en contact avec les parties chaudes de l'unité / du brûleur ou avec des arêtes vives.
- Des modifications de l'installation électrique interne ou le raccordement d'autres composants électriques (p. ex. ventilateur supplémentaire d'un autre fabricant) au câblage interne du réfrigérateur annulent toute réclamation issue de la garantie et de la responsabilité du fabricant.
- Le réfrigérateur possède une interface de bus CI et peut être contrôlé par un écran central compatible du véhicule.

### Schéma de câblage du réfrigérateur (fig. 19, page 11)

Pos. dans fig. 19, page 11	Description
1	Ventilateur 2 (si le module d'options n'est pas disponible)
2	Ventilateur 1 (si le module d'options n'est pas disponible)
3	S+ (en option)
4	Élément de chauffage CC
5	Relais CC avec fusible 20 A pour la cartouche chauffante
6	NTC 1: Chambre de réfrigération NTC 2: Température extérieure (en option)
7	Vanne du gaz
8	Raccordement au courant alternatif
9	Élément de chauffage CA
10	Brûleur de gaz
11	Bloc de connexion
12	Éclairage
13	Écran

Pos. dans fig. 19, page 11	Description
14	Cadre de chauffage
15	Ventilateur 2 (si le module d'options est disponible)
16	Ventilateur 1 (si le module d'options est disponible)
17	Module d'options
18	Four alimentation CC (si le module d'options est disponible)
19	Module d'options alimentation CC
20	Raccordement bus CI
21	Raccordement au courant continu
22	Carter terminal 12 V (vue avant) <ul style="list-style-type: none"> <li>• AMP/TE Tyco : 180906</li> <li>• CS Colombo : 63N025</li> </ul>
23	Électronique câble alimentation CC
24	Élément chauffant câble alimentation CC
25	Alimentation interne CC, max. 1 A (module d'options, four, ventilateur)

### Source d'alimentation CC



#### AVERTISSEMENT ! Risque d'incendie !

- La ligne d'alimentation vers l'élément de chauffage doit être protégée par un fusible de 20 A.
- La ligne d'alimentation vers l'électronique doit être protégée par un fusible de 2 A.



#### AVIS !

Les lignes d'alimentation positive et négative des connexions CC pour l'électronique (fig. 19 23, page 11) et l'élément de chauffage (fig. 19 24, page 11) ne doivent **pas** être raccordées ensemble sur un seul fil. Cela peut provoquer des interférences électriques ou endommager des composants électriques.

Respectez les sections de câbles suivantes :


- < 6 m (à l'intérieur) : au moins 6 mm<sup>2</sup>
- > 6 m (à l'intérieur) : au moins 10 mm<sup>2</sup>

- Électronique de connexions et élément de chauffage : 0,75 mm<sup>2</sup>
- Raccordements D+ et S+ : 0,75 mm<sup>2</sup>
- Câble sur timon (caravanes uniquement) : 2,5 mm<sup>2</sup>
- ▶ Montez votre prise de courant continu comme suit (fig. **19** 21, page 11) :
  - Raccordez **A** et **C** au pôle positif de la batterie.
  - Raccordez **D** et **F** à la masse.
  - Raccordez **B** au signal D +.  
L'électronique du réfrigérateur utilise le signal D+ de la dynamo afin de reconnaître la marche du moteur du véhicule. En mode automatique, le réfrigérateur sélectionne le mode le plus favorable. Le réfrigérateur ne fonctionne avec du courant continu que lorsque le moteur du véhicule est en marche.
  - Raccordez **E** au bus Cl.
- ▶ Raccordez **3** au signal S+ (en option).
- ▶ Protégez la ligne d'alimentation **A** avec un fusible 2 A dans le répartiteur du véhicule.
- ▶ Protégez la ligne d'alimentation **C** avec un fusible 20 A dans le répartiteur du véhicule.
- ▶ Faites passer la ligne d'alimentation **C** par un relais à commande d'allumage. Ceci évite une décharge complète de la batterie lorsque le moteur est éteint accidentellement.

### Source d'alimentation CA

- ▶ Connectez le réfrigérateur à une prise CA à l'aide du connecteur de l'appareil.

## 6 Caractéristiques techniques

	RMD10.5(T)	RMD10.5X(T)	RMD10.5XS	RMD10.5S
Tension de raccordement :	230 V~ /50 Hz 12 V==			
Capacité				
Capacité brute :	153 l	177 l	177 l	153 l
Compartment réfrigérateur :	124 l	142 l	142 l	124 l
Compartment conservateur :	29 l	35 l	35 l	29 l
Capacité nette totale :	147 l	171 l	171 l	147 l
Puissance absorbée :	250 W (230 V~) 170 W (12 V==)			
Consommation électrique :	4,4 kWh/24 h (230 V~)			
Consommation de gaz :	580 g/24 h			
Classe climatique :	SN			
Dimensions h x L x l :	1245 x 523 x 550 mm	1245 x 523 x 605 mm	1245 x 523 x 605 mm	1245 x 523 x 550 mm
Poids :	40 kg	41,5 kg	40,5 kg	39 kg
Contrôle/certification :				

Pour la déclaration de conformité UE actuelle pour votre appareil, veuillez vous reporter à la page produit correspondante sur [dometic.com](http://dometic.com) ou contacter directement le fabricant (voir la dernière page).



Lees alle instructies, richtlijnen en waarschuwingen in deze gebruiksaanwijzing en volg ze zorgvuldig op om ervoor te zorgen dat u het product te allen tijde op de juiste manier installeert, gebruikt en onderhoudt. Deze instructies MOETEN bij dit product bewaard worden.

Door het product te gebruiken, bevestigt u hierbij dat u alle instructies, richtlijnen en waarschuwingen zorgvuldig hebt gelezen en dat u de voorwaarden en condities zoals die hierin zijn beschreven begrijpt en accepteert. U gaat ermee akkoord dit product alleen te gebruiken voor het beoogde doel en de beoogde toepassing en in overeenstemming met de instructies, richtlijnen en waarschuwingen zoals beschreven in deze gebruiksaanwijzing en in overeenstemming met de geldende wet- en regelgeving. Het niet lezen en opvolgen van de hierin beschreven instructies en waarschuwingen kan leiden tot letsel voor uzelf en anderen, schade aan uw product of schade aan andere eigendommen in de omgeving. Deze gebruiksaanwijzing, met inbegrip van de instructies, richtlijnen en waarschuwingen, en de bijbehorende documentatie kan onderhevig zijn aan wijzigingen en updates. Actuele productinformatie vindt u op [dometic.com](http://dometic.com).

## Inhoudsopgave

1	Verklaring van de symbolen . . . . .	57
2	Veiligheidsinstructies . . . . .	58
3	Toebehoren. . . . .	60
4	Koelkast monteren . . . . .	60
5	Koelkast aansluiten . . . . .	66
6	Technische gegevens . . . . .	71

## 1 Verklaring van de symbolen



### WAARSCHUWING!

**Veiligheidsaanwijzing** met betrekking tot een gevaarlijke situatie die kan leiden tot ernstig letsel of de dood, als deze niet wordt vermeden.



### VOORZICHTIG!

**Veiligheidsaanwijzing** met betrekking tot een gevaarlijke situatie die kan leiden tot licht of gemiddeld letsel, als deze niet wordt vermeden.



### LET OP!

Aanwijzing met betrekking tot een situatie die kan leiden tot materiële schade, als deze niet wordt vermeden.



### INSTRUCTIE

Meer informatie over de bediening van het product.

## 2 Veiligheidsinstructies

De fabrikant kan in de volgende gevallen niet aansprakelijk worden gesteld voor schade:

- montage- of aansluitfouten
- beschadiging van het product door mechanische invloeden en verkeerde aansluitspanning
- veranderingen aan het product zonder uitdrukkelijke toestemming van de fabrikant
- gebruik voor andere dan de in de handleiding beschreven toepassingen



**WAARSCHUWING! Niet in acht nemen van deze waarschuwingen kan leiden tot ernstig letsel of de dood.**

### **Explosiegevaar**

- Open het absorptieaggregaat nooit. Het staat onder hoge druk en kan letsel veroorzaken, als het wordt geopend.
- De koelkast mag **uitsluitend** met de op het typeplaatje aangegeven druk worden gebruikt. Gebruik alleen vast ingestelde drukregelaars die voldoen aan de nationale voorschriften (in Europa EN 12864).

### **Brandgevaar**

- Let op een schone en restloze verwerking, als siliconenafdichtmassa en dergelijke wordt gebruikt. Bij contact van siliconendraden met hete delen of open vuur bestaat brandgevaar.
- De koelkast nooit met open vuur op lekkage controleren.
- Gebruik uitsluitend propaan- of butaangas (**geen** aardgas).

### **Gevaar voor de gezondheid**

- Als de koelkast zichtbaar is beschadigd, mag hij niet in gebruik worden genomen.
- Als de wisselstroomaansluitkabel van deze koelkasten wordt beschadigd, moet deze om gevaar uit te sluiten worden vervangen door de fabrikant, diens klantenservice of een gelijkwaardig gekwalificeerd persoon.
- Reparaties aan deze koelkast mogen uitsluitend door vakmonteurs worden uitgevoerd. Door niet-vakkundige reparaties kunnen grote gevaren ontstaan.

### **Verstikkingsgevaar**

- Demonteer bij de afvoer van de oude koelkast alle koelkastdeuren, en laat de aflegplaten in de koelkast om onbedoeld naar binnen klimmen door kinderen en stikken te voorkomen.



### **VOORZICHTIG! Niet in acht nemen van deze voorzichtigheidsaanwijzingen kan leiden tot licht of gemiddeld letsel.**

#### **Elektrische schok**

- Let er voor de ingebruikneming op dat toevoerleiding en stekker droog zijn.

#### **Beknellingsgevaar**

- Grijp niet in de scharnier.



### **LET OP! Gevaar voor beschadiging**

- Houd de koelkast tijdens transport alleen aan de koelkastbehuizing vast. Houd de koelkast nooit aan absorptieaggregaat, koelribben, gasleidingen, deur of bedienpaneel vast.
- Voorkom beschadiging van het koelcircuit tijdens transport. Het koudemiddel in het koelcircuit is licht ontvlambaar. Bij een beschadiging van het koelcircuit (ammoniakgeur):
  - Schakel de koelkast eventueel uit.
  - Vermijd open vuur en ontstekingsvonken.
  - Ventileer de ruimte goed.
- Plaats het product niet in de buurt van open vuur of andere warmtebronnen (verwarming, gasovens etc.).
- **Oververhittingsgevaar!** Let er altijd op dat de warmte die bij het gebruik ontstaat goed afgevoerd kan worden. Zorg ervoor dat de koelkast op voldoende afstand tot wanden en voorwerpen staat, zodat de lucht kan circuleren.
- Vergelijk de spanning op het typeplaatje met de aanwezige energievoorziening.
- Open in geen geval het koelcircuit.
- Sluit de koelkast uitsluitend met de bijbehorende wisselstroomaansluitkabel aan op de wisselstroomcontactdoos.
- Gebruik alleen kabels met passende kabeldiameter.
- Trek de stekker nooit aan de aansluitkabel uit het stopcontact.
- De koelkast mag niet aan regen worden blootgesteld.

## 3 Toebehoren

### Beschrijving

Flexibele gasleiding

Afdichting voor tochtvrije montage voor openingen van 1 – 5 mm (afb. **7 B**, pagina 7)

Afdichting voor tochtvrije montage voor openingen van 5 – 10 mm (afb. **7 C**, pagina 7)

Winterafdekking LS 300 voor het ventilatierooster

Adapterkabel

- WAGO naar CEE
- WAGO naar UK
- WAGO naar JST
- WAGO naar MATE-N-LOK

Optionele ventilatorset REF-FANKIT

Optioneel accupack Pack R10-BP voor standalone-gasbedrijf

Optionele Ø2,5/5,5 mm-stekker voor autonoom gebruik op gas met een 9V---powerbank

## 4 Koelkast monteren



De handleiding voor het wijzigen van de deurstop en de decoplaat vindt u online op:

[documents.dometic.com/?object\\_id=63258](https://documents.dometic.com/?object_id=63258)

Het toestel is bedoeld voor installatie in:

- caravans
- campers

### 4.1 De montage voorbereiden



#### LET OP!

- De koelkast mag niet worden geïnstalleerd aan de achterzijde van een camper met de deur in rijrichting.
- Gebruik voor veilig gebruik alleen originele Dometic ventilatieroosters.

Neem bij de montage van de koelkast volgende aanwijzingen in acht:

- Voor een optimale circulatie van het koudemiddel mag de koelkast een hellingshoek van hooguit 3° hebben.  
Parkeer het voertuig hiervoor horizontaal.
- De koelkast moet zodanig worden geïnstalleerd dat
  - deze eenvoudig toegankelijk is voor onderhoudswerk
  - deze eenvoudig kan worden gedemonteerd en gemonteerd
  - deze eenvoudig uit het voertuig kan worden verwijderd
- De koelkast moet in een nis worden ingebouwd, zodat hij bij beweging van het voertuig vast staat. Noteer hiervoor de afmetingen in afb. **1**, pagina 3.
- In de buitenwand moeten een beluchtingsopening (afb. **2** 1, pagina 4) en een ontluchtingsopening (afb. **2** 2, pagina 4) met ventilatierooster voorhanden zijn om de warmte die ontstaat goed naar buiten te kunnen leiden:
  - Beluchtingsopening: Breng het rooster zo veel mogelijk in lijn met de basis van de installatienis aan.
  - Ontluchtingsopening: zo ver mogelijk boven de koelkast.
  - De afstand tussen beluchtingsopening en ontluchtingsopening moet minstens 1250 mm bedragen (afb. **3**, pagina 4).
- Monteer boven de koelkast een warmtegeleideplaat (afb. **3** 1, pagina 4) zodat zich geen warmte in het voertuig verzamelt.
- De afstand tussen de koelkast en achterwand moet minstens 15 mm maat niet meer dan 25 mm bedragen.
- Een afstand van meer dan 25 mm tussen koelkast en achterwand leidt tot vermogensverlies en een verhoogd energieverbruik van de koelkast. Verklein de holle ruimte achter de koelkast zodanig dat voldoende be- en ontluchting is gegarandeerd (afb. **4**, pagina 5). Gebruik hiervoor bijvoorbeeld een luchtgeleidingsplaat.
- Indien de minimumafstand tussen beluchtingsopening en ontluchtingsopening niet kan worden aangehouden, moet in plaats van de ontluchtingsopening een dakontluchting worden ingebouwd.
  - De dakontluchting moet indien mogelijk direct boven de achterzijde van de koelkast worden aangebracht. Gebruik een luchtkanaal (afb. **5** 1, pagina 5) indien u de dakontluchting verschoven moet aanbrengen, omdat anders warmteophoping ontstaat.
  - De afstand tussen de beluchtingsopening en dakontluchting moet minstens 1800 mm bedragen (afb. **5**, pagina 5).
  - Als een dakairco voorhanden is, moet de afstand tussen de dakontluchter (afb. **6** 1, pagina 6) en de luchtafvoer van de dakairco (afb. **6** 2, pagina 6) minstens 300 mm bedragen.

- De koelkast mag niet zijdelings ten opzichte van de be- en ontluchtingsopeningen worden ingebouwd, omdat dit leidt tot vermogensverlies en een verhoogd energieverbruik van de koelkast.
- De be- en ontluchtingsopeningen mogen tijdens gebruik niet door voertuigdelen worden afgedekt (bijvoorbeeld geopende deur of door de aanbouw van toebehoren zoals fietsdrager).
- Installeer de koelkast beschermd tegen overmatige warmte-instraling, omdat dit leidt tot vermogensverlies en verhoogd energieverbruik van de koelkast.
- De koelkast moet tochtvrij worden gemonteerd.

## 4.2 Koelkast tochtvrij inbouwen



### WAARSCHUWING! Brandgevaar!

- Gebruik voor de tochtvrije inbouw geen licht ontvlambaar materiaal zoals silicone-afdichtmassa, montageschuim en dergelijke.
- Positioneer het apparaat zodanig dat geen verbindingskabel is beschadigd of geknikt.
- Gebruik geen meervoudige aansluitingen of draagbare adapters achter het apparaat.

Koeltoestellen op gas in caravans of campers in moeten tochtvrij worden ingebouwd. Dit betekent dat de verbrandingslucht niet uit de binnenruimte wordt genomen en de afvoergassen niet direct in de woonruimte kunnen dringen.

Tussen de achterwand van de koelkast en de binnenruimte van het voertuig moet een geschikte afdichting worden aangebracht.

De fabrikant raadt aan om een flexibele afdichting te gebruiken om in- en uitbouwen voor onderhoud te vereenvoudigen.

Kies een van de drie versies voor tochtvrije installatie (afb. **7**, pagina 7):

### Stopbalk achter de koelkast (A)

- ▶ Lijm een flexibele afdichtlip (**1**) op een lijst (**2**) achter de koelkast (**3**).
- ▶ Duw de koelkast-ovencombinatie bij montage tegen de lijst met de flexibele afdichtlippen.
- ✓ De ruimte achter de koelkast is verzegeld aan het voertuiginterieur.

### Zijopening-afstand van tot 5 mm tussen koelkast en meubilair (B)

- ▶ Lijm de afdichtlippen (zie hoofdstuk „Toebehoren” op pagina 60) op de zijkant van het meubilair (4).
- ▶ Duw de koelkast-ovencombinatie tegen de flexibele afdichtlippen op het meubilair.
- ✓ De ruimte achter de koelkast is verzegeld aan het voertuiginterieur.

### Zijopening-afstand van 5 mm tot 10 mm tussen koelkast en meubilair (C)

- ▶ Lijm de afdichting met dubbele lippen (zie hoofdstuk „Toebehoren” op pagina 60) op de zijkant van het meubilair (4).
- ▶ Duw de koelkast-ovencombinatie tegen de flexibele afdichting met dubbele lippen op het meubilair.
- ✓ De ruimte achter de koelkast is verzegeld aan het voertuiginterieur.

## 4.3 Be- en ontluichtingsopeningen maken



#### INSTRUCTIE

- Afwijkingen van de hier afgebeelde in- en uitlaatvarianties moeten door de fabrikant worden toegestemd.
- Bij hoge omgevingstemperatuur functioneert de koelkast alleen optimaal, als de be- en ontluchting optimaal is.

- ▶ Maak een be- en ontluichtingsopening in de buitenwand van 249 mm x 490 mm. Neem hierbij de aanwijzingen in acht, zie hoofdstuk „De montage voorbereiden” op pagina 60.

Indien het ventilatierooster van de beluchtingsopening niet in een lijn met de ondergrond van de inbouwnis kan worden ingebouwd, moet een beluchtingsopening in de ondergrond worden ingebouwd. Lekkend gas kan dan omlaag stromen.

- ▶ Maak achter de koelkast bij de gasbrander een beluchtingsopening van minstens Ø 40 mm in de ondergrond (afb. 8 1, pagina 8).
- ▶ Scherm het einde van de opening af met een bochtstuk zodat tijdens rijden geen modder of vuil kan binnendringen (afb. 8 2, pagina 8).

Indien u in plaats van de ontluchtingsopening een dakontluchting moet gebruiken:

- ▶ Maak een uitsnede in het dak. De vereiste afmetingen staan in de handleiding van de dakontluchting.  
Neem hierbij de aanwijzingen in acht, zie hoofdstuk „De montage voorbereiden” op pagina 60.

## 4.4 Ventilatioerooster monteren



### INSTRUCTIE

Gebruik voor veilig gebruik alleen originele Dometic ventilatioeroosters.

Nr. in afb. <b>9</b> , pagina 8	Beschrijving
1	Schuif
2	Ventilatioerooster
3	Montageframe
4	Bevestiging voor condensafvoer

- ▶ Dicht het montageframe af om de verbinding waterdicht te maken (afb. **10**, pagina 8).
- ▶ Plaats het montageframe en schroef het vast (afb. **11**, pagina 8). Gebruik hiervoor alle bevestigingsopeningen.
- ▶ Steek de ventilatiegrill erin zoals afgebeeld (afb. **12**, pagina 9).



## 4.5 Condensafvoer monteren



### INSTRUCTIE

- Door openen van de deur, onjuist bewaren van levensmiddelen of door warme levensmiddelen kan in de koelkast condens ontstaan.
- Condens moet worden afgevoerd.

Monteer de condensafvoer als volgt:

### Variant 1

- ▶ Leid de condensslang van de koelkastbuitenzijde door een opening in de vloer uit het voertuig weg naar buiten.

### Variant 2

- ▶ Bevestig de condensslang direct aan de hiervoor bedoelde bevestiging van het ventilatierooster (afb. **9** 4, pagina 8).

## 4.6 Dakventilator monteren

Nr. in afb. <b>13</b> , pagina 9	Beschrijving
1	Kap
2	Montageframe

- ▶ Dicht het montageframe af om de verbinding waterdicht te maken (afb. **14**, pagina 9).
- ▶ Plaats het montageframe en schroef het vast (afb. **15**, pagina 9). Gebruik hiervoor alle bevestigingsopeningen.
- ▶ Plaats de kap en schroef deze goed vast (afb. **16**, pagina 9).

## 4.7 Koelkast bevestigen



### VOORZICHTIG!

Schroef alleen de hiervoor bedoelde bussen vast, anders kunnen ingeschuimde bouwdeelen zoals leidingen en dergelijke worden beschadigd.



### INSTRUCTIE

Bevestig de zijwanden of de aangebrachte lijsten zodanig dat de schroeven ook bij verhoogde belasting (tijdens rijden) vast zitten.

- ▶ Zet de koelkast in de uiteindelijke positie.
- ▶ Draai de zes schroeven (afb. **17** 1, pagina 10) door de zes kunststof bussen in de zijwanden van de koelkast en verder in de wand.
- ▶ Plaats de kappen (afb. **17** 2, pagina 10) op de schroefkoppen.

# 5 Koelkast aansluiten

## 5.1 Op de gastoevoer aansluiten



### LET OP!

- De koelkast mag alleen door een vakman volgens de geldende voorschriften en normen op de gasvoorziening worden aangesloten.
- Een slangaansluiting is **niet** toegestaan.
- Gebruik een metaal-afgedichte schroefverbinding.
- Het gasfilter (wit) in de koelkastgasverbinding mag niet worden verwijderd.
- Gebruik uitsluitend propaan- of butaangasflessen (geen aardgas of stadsgas) met gekeurd drukreducerend ventiel en passend kopstuk. Vergelijk de druk op het typeplaatje met de druk op de drukregelaar van de propaan- of butaangasfles.
- De koelkast mag **uitsluitend** met de op het typeplaatje aangegeven druk worden gebruikt.
- De koelkast mag **uitsluitend** met de op het typeplaatje aangegeven druk worden gebruikt.
- Neem a.u.b. de in uw land toegestane drukwaarden in acht. Gebruik alleen vast ingestelde drukregelaars die voldoen aan de nationale voorschriften.



### INSTRUCTIE

Optioneel kunt u de flexibele Dometic gaspijp gebruiken om spanningen te vermijden.

De koelkast moet door een afsluiterinrichting in de gasleiding afzonderlijk kunnen worden afgesloten. De afsluiterinrichting moet goed toegankelijk zijn.

- Sluit de koelkast veilig et de hand aan op de gastoevoer (afb. **18**, pagina 10):  
Neem de volgende informatie in acht:

Nr. in afb. <b>18</b> , pagina 10	Beschrijving
1	Schroef M4 (Torx TX20), Moment: 2 Nm
2	Koelkast-gasverbinding: M14 x 1.5 (d = 8 mm/ISO8434 (DIN2353))
3	Gasleiding met ringkoppeling (maat 17), Moment: 25 Nm

- Laat na professionele installatie een lek- en een vlamtest uitvoeren door een geautoriseerde specialist.  
Laat een goedkeuringscertificaat maken en overhandig dit aan de eindgebruiker.

## 5.2 Op gelijkstroom en wisselstroom aansluiten



### LET OP!

De elektrische installatie alsmede reparaties mogen alleen door een vakman conform de gelden voorschriften en normen worden uitgevoerd.



### INSTRUCTIE

- De toestelstekker mag zich niet direct achter het ventilatierooster worden bevinden, anders kan de luchtcirculatie worden gehinderd en kan de stekker nat worden.
- De stekker van de wisselstroom-aansluitkabel mag niet worden afgesneden.
- De aansluitkabel moet zodanig gemonteerd zijn dat deze niet met hete delen van aggregaat/brander of met scherpe randen in contact komen.
- Wijzigingen van de interne elektrische installatie of de aansluiting van andere elektrische componenten (bijvoorbeeld externe extra ventilator) aan de interne bekabeling van de koelkast doen elke aanspraak op garantie vervallen.
- De koelkast heeft een CI bus-interface en kan worden geregeld via een compatibel, centraal voertuigdisplay.

### Schema van de koelkast (afb. 19, pagina 11)

Nr. in afb. 19, pagina 11	Beschrijving
1	Ventilator 2 (als optiemodule niet beschikbaar is)
2	Ventilator 1 (als optiemodule niet beschikbaar is)
3	S+ (optioneel)
4	Verwarmingselement gelijkstroom
5	Gelijkstroomrelais met 20 A zekering voor verwarmingspatroon
6	NTC 1: Koelruimte NTC 2: Buitentemperatuur (optioneel)
7	Gasklep
8	Wisselstroomaansluiting
9	Verwarmingselement wisselstroom
10	Gasbrander
11	Verbindingsblok
12	Verlichting
13	Display
14	Verwarmingsframe

Nr. in afb. 19, pagina 11	Beschrijving
15	Ventilator 2 (als optiemodule beschikbaar is)
16	Ventilator 1 (als optiemodule beschikbaar is)
17	Optiemodule
18	Gelijkstroomoven (als optiemodule beschikbaar is)
19	Gelijkstroomvoeding optiemodule
20	CI-bus-verbinding
21	Gelijkstroomaansluiting
22	12 V terminalbehuizing (frontaanzicht) <ul style="list-style-type: none"> <li>• AMP/TE Tyco: 180906</li> <li>• CS Colombo: 63N025</li> </ul>
23	Gelijkstroom-voedingskabel elektronica
24	Gelijkstroom-voedingskabel verwarmingselement
25	Interne gelijkstroomvoeding, max. 1 A (optiemodule, oven, ventilator)

## Gelijkstroom



### WAARSCHUWING! Brandgevaar!

- De toevoerleiding naar het verwarmingselement moet worden beveiligd met een 20 A zekering.
- De toevoerleiding naar de elektronica moet worden beveiligd met een 2 A zekering.



### LET OP!

De positieve en negatieve voedingslijnen van de gelijkstroom-verbindingen voor elektronica (afb. 19 23, pagina 11) en verwarmingselement (afb. 19 24, pagina 11) mogen **niet** met elkaar worden verbonden en op één draad worden gedragen. Anders kunnen elektrische bouwdelen elektrisch worden beïnvloed of beschadigd.

Neem volgende leidingdiameters in acht:


- < 6 m (binnen): minstens 6 mm<sup>2</sup>
- > 6 m (binnen): minstens 10 mm<sup>2</sup>
- Verbindingen elektronica en verwarmingselement: 0,75 mm<sup>2</sup>

- Verbindingen D+ en S+: 0,75 mm<sup>2</sup>
- Kabel gevoed via trekstang (alleen caravans): 2,5 mm<sup>2</sup>
- ▶ Monteer uw gelijkstroomaansluiting als volgt (afb. **19** 21, pagina 11):
  - Verbind **A** en **C** met de pluspool van de accu.
  - Verbind **D** en **F** met massa.
  - Verbind **B** met het D + signaal.  
Het elektronisch systeem van de koelkast gebruikt het signaal D+ van de dynamo om het draaien van de voertuigmotor te herkennen. De koelkast kiest in automatische bedrijfsmodus de gunstigste bedrijfsmodus. De koelkast wordt alleen met gelijkstroom bedreven, als de motor draait.
  - Verbind **E** met de CI-BUS.
- ▶ Verbind **3** met het S+ signaal (optioneel).
- ▶ Beveilig de voedingsleiding **A** met een 2 A zekering in de verdeelkast van het voertuig.
- ▶ Beveilig de voedingsleiding **C** met een 20 A zekering in de verdeelkast van het voertuig.
- ▶ Leid de voedingsleiding **C** via een ontstekingsgeremd relais.  
Dit voorkomt dat de accu compleet wordt ontladen, als de motor onbedoeld wordt uitgeschakeld.

### Wisselstroom

- ▶ Sluit de koelkast met de apparaatstekker aan op de wisselstroomdoos.

## 6 Technische gegevens

	RMD10.5(T)	RMD10.5X(T)	RMD10.5XS	RMD10.5S
Aansluitspanning:	230 V~ /50 Hz 12 V===			
Capaciteit				
Bruto-inhoud:	153 l	177 l	177 l	153 l
Koelvak:	124 l	142 l	142 l	124 l
Vriesvak:	29 l	35 l	35 l	29 l
Totale netto capaciteit:	147 l	171 l	171 l	147 l
Opgenomen vermogen:	250 W (230 V~) 170 W (12 V===)			
Energieverbruik:	4,4 kWh/24 h (230 V~)			
Gasverbruik:	580 g/24 h			
Klimaatklasse:	SN			
Afmetingen h x b x d:	1245 x 523 x 550 mm	1245 x 523 x 605 mm	1245 x 523 x 605 mm	1245 x 523 x 550 mm
Gewicht:	40 kg	41,5 kg	40,5 kg	39 kg
Inspectie/certificatie:				

Voor de actuele EU-conformiteitsverklaring voor uw toestel, zie de desbetreffende productpagina op [dometic.com](http://dometic.com) of raadpleeg de fabrikant direct (zie achterzijde).

Mobile living made easy.

---



**dometic.com**

---

**YOUR LOCAL  
DEALER**

**[dometic.com/dealer](https://dometic.com/dealer)**

**YOUR LOCAL  
SUPPORT**

**[dometic.com/contact](https://dometic.com/contact)**

**YOUR LOCAL  
SALES OFFICE**

**[dometic.com/sales-offices](https://dometic.com/sales-offices)**

---

A complete list of Dometic companies, which comprise the Dometic Group, can be found in the public filings of:  
**DOMETIC GROUP AB** Hemvärnsgatan 15 SE-17154 Solna Sweden